



Low-Rise Residential Construction

Details



NORTH AMERICAN
STEEL FRAMING
ALLIANCE

North American Steel Framing Alliance
1726 M Street, NW
Suite 601
Washington, DC 20036-4523
202-785-2022
Fax: 202-785-3856
1-800-79-STEEL
www.SteelFramingAlliance.com

Publication NT6-00

First Printing—March 2000
Copyright 2000

Introduction

These details were developed by the Light Gauge Steel Engineers Association (LGSEA) for the North American Steel Framing Alliance (NASFA). They are intended to provide designers and contractors with guidance on design, detailing, and construction of low-rise residential buildings that utilize cold-formed steel framing members. Details contained in this document were selected based on their cost effectiveness at the time of this publication. Efforts have been made to present accurate, reliable, and useful information. The connections between members are shown as screw connections; other types of connections such as welds, bolts, powder-actuated fasteners, clinches, or pneumatically driven fasteners are acceptable. Although it is common for cold-formed steel framing members to have web “punchouts” for passing bracing or utilities, punchouts are shown in some details only. Punchouts are acceptable and vary in size, configuration, and spacing depending on the manufacturer and/or design. NASFA acknowledges Nader Elhajj, P.E., for assembling and drafting the details. Special appreciation is extended to Kevin Bielat of the American Iron and Steel Institute (AISI) and Tim Waite of NASFA for their assistance and guidance. NASFA recognizes the following LGSEA committee members who helped select the details contained in this document:

Don Allen	BLB Consulting
Tim Waite	North American Steel Framing Alliance
Scott Shaddix	Nicholas Lane Contractors
Mike Whitticar	Enertech Systems, Inc.
Pat Ford	Matsen Ford Design Associates, Inc.
Don Wilnau	Independent Contractor

The materials set forth herein are for general information only. They are not a substitute for competent professional assistance. Application of any information contained in this document to a specific project or setting should be reviewed by a qualified individual. NASFA believes that the information contained in this publication substantially represents industry practice and related scientific and technical information, but the information is not intended to represent an official position of NASFA or to restrict or exclude any other construction or design technique. Additional design and detailing (i.e., coordinating with other materials, material specifications) is required for many of the details before they can be incorporated into construction documents. Anyone making use of the information set forth herein does so at his or her own risk and assumes any resulting liability.

Table of Contents

Introduction	i
Table of Contents	i
List of Details	ii
Definitions	iv

List of Details

General

Detail G1	Schematic of Typical Steel-Framed House	1
Detail G2	C-Shape Configuration	2
Detail G3	Track Configuration	2
Detail G4	Joist Web Holes	3
Detail G5	Stud Web Holes	3
Detail G6	Joist Web Hole Patch	4
Detail G7	Stud Web Hole Patch	4
Detail G8	In-Line Framing Detail	5
Detail G9	Web Stiffener Detail 1	6
Detail G10	Web Stiffener Detail 2	6
Detail G11	Web Stiffener Detail 3	7
Detail G12	Track Splice Detail.....	8
Detail G13	Screw Attachment Detail	9

Floors

Detail F1	Floor Framing	10
Detail F2	Floor to Foundation Connection	11
Detail F3	Floor to Wood Sill Connection	12
Detail F4	Floor to Load Bearing Wall Connection	13
Detail F5	Floor Bearing on I-Beam Connection	14
Detail F6	Lapped Joists	15
Detail F7	Continuous Joist.....	16
Detail F8	Floor to I-Beam Side Connection	17
Detail F9	Joists Supported by Shallow I-Beam.....	18
Detail F10	Joists Supported by Deep I-Beam	19
Detail F11	Floor Joists at Interior Bearing Wall	20
Detail F12	Joists Bearing on Foundation at Opening	21
Detail F13	Floor to CMU Wall Side Connection	22
Detail F14	Web Stiffener at Load Bearing Wall	23
Detail F15	Alternate Pony Wall Detail	24
Detail F16	Cantilevered Joist to Foundation Connection	25
Detail F17	Cantilevered Joist to Wood Sill Connection	26
Detail F18	Cantilevered Joist to Bearing Wall Connection.....	27
Detail F19	Cantilevered Joist to Wood Top Plate Connection	28
Detail F20	Double Cantilevered Joists	29
Detail F21	Wood Deck Balcony	30
Detail F22	Beam Support with Column	31
Detail F23	Beam Support.....	32
Detail F24	Floor Opening Detail	33
Detail F25	Floor Header and Trimmer Detail	34
Detail F26	Floor Blocking Detail 1	35
Detail F27	Floor Blocking Detail 2	36
Detail F28	Floor Blocking Detail 3	37
Detail F29	Floor Blocking Detail 4	38
Detail F30	X-Bracing Detail	39
Detail F31	Blocking Connection Detail.....	40
Detail F32	Floor Sheathing Connection Detail	41

Load-Bearing Walls

Detail W1	Wall Framing	42
Detail W2	Wall Framing Elevation	43
Detail W3	Wall to Foundation/Slab on Grade Connection 1	44
Detail W4	Wall to Foundation/Slab on Grade Connection 2	45
Detail W5	Wall to Foundation/Slab on Grade Connection 3	46
Detail W6	Wall to Foundation/Slab on Grade Connection 4	47
Detail W7	Wall to Wood Sill Connection	48
Detail W8	Hold-Down Connection Detail 1	49
Detail W9	Hold-Down Connection Detail 2	50
Detail W10	Box Beam Header with Jack Stud	51
Detail W11	Box Beam Header	52
Detail W12	Back-to-Back Header with Jack Stud	53
Detail W13	Back-to-Back Header	54
Detail W14	L-Header Detail	55
Detail W15	Single L-Header Detail	56
Detail W16	Double L-Header Detail.....	57
Detail W17	Stud Bracing with Cold-Rolled Channel	58
Detail W18	Stud Bracing with Sheathing	59
Detail W19	Stud Bracing with Strapping and Sheathing	60
Detail W20	Stud Bracing with Strapping and Blocking	61
Detail W21	Structural Sheathing Fastening to Wall Studs	62
Detail W22	Shearwall and Diaphragm Details	63
Detail W23	Sheathed Wall with Openings	64
Detail W24	Single Story X-Brace Detail	65
Detail W25	Two Story X-Brace Detail	66
Detail W26	Two Story Sheathed Wall Detail	67
Detail W27	X-Brace Detail	68
Detail W28	X-Brace with Gusset Detail	69
Detail W29	Corner Framing Detail	70

Non-Load Bearing Walls

Detail NL1	Non-Load Bearing Wall Framing	71
Detail NL2	Sill and Head Track Connection Detail	72
Detail NL3	Corner Framing Detail	73
Detail NL4	Slammer Stud Detail	73
Detail NL5	Window Opening Framing Detail	74
Detail NL6	Door Opening Framing Detail	75
Detail NL7	Non-Load Bearing Opening.....	76
Detail NL8	Non-Load Bearing Wall Parallel to Joist	77

Roofs (Rafters/Joists)

Detail R1	Roof Framing	78
Detail R2	Joist and Rafter Detail	79
Detail R3	Roof Framing Isometric View	80
Detail R4	Heel Joint Connection Detail.....	81
Detail R5	Ridge Member Connection Detail	82
Detail R6	Ridge Member with Coped Rafters	83
Detail R7	Roof Eave and Soffit Detail.....	84
Detail R8	Rafter and Joist Bridging	85

Detail R9	Collar Tie at Rafter Detail	86
Detail R10	Rafter Brace Connection Detail.....	86
Detail R11	Roof Framing with Wood Tail Extension	87
Detail R12	Wood Truss Bearing on Steel Wall	88
Detail R13	Collector Block Detail	89
Detail R14	Non-Aligned Roof-Wall Framing	90
Detail R15	Hip Beam	91

Miscellaneous

Figure M1	Cabinet Blocking Detail.....	92
Figure M2	Wiring and Piping Installation Detail	92
Figure M3	Stair Framing Detail.....	93
Figure M4	Stair Framing Detail 2	94
Figure M5	Stair Landing Detail.....	95
Figure M6	Wind Sill Details	96

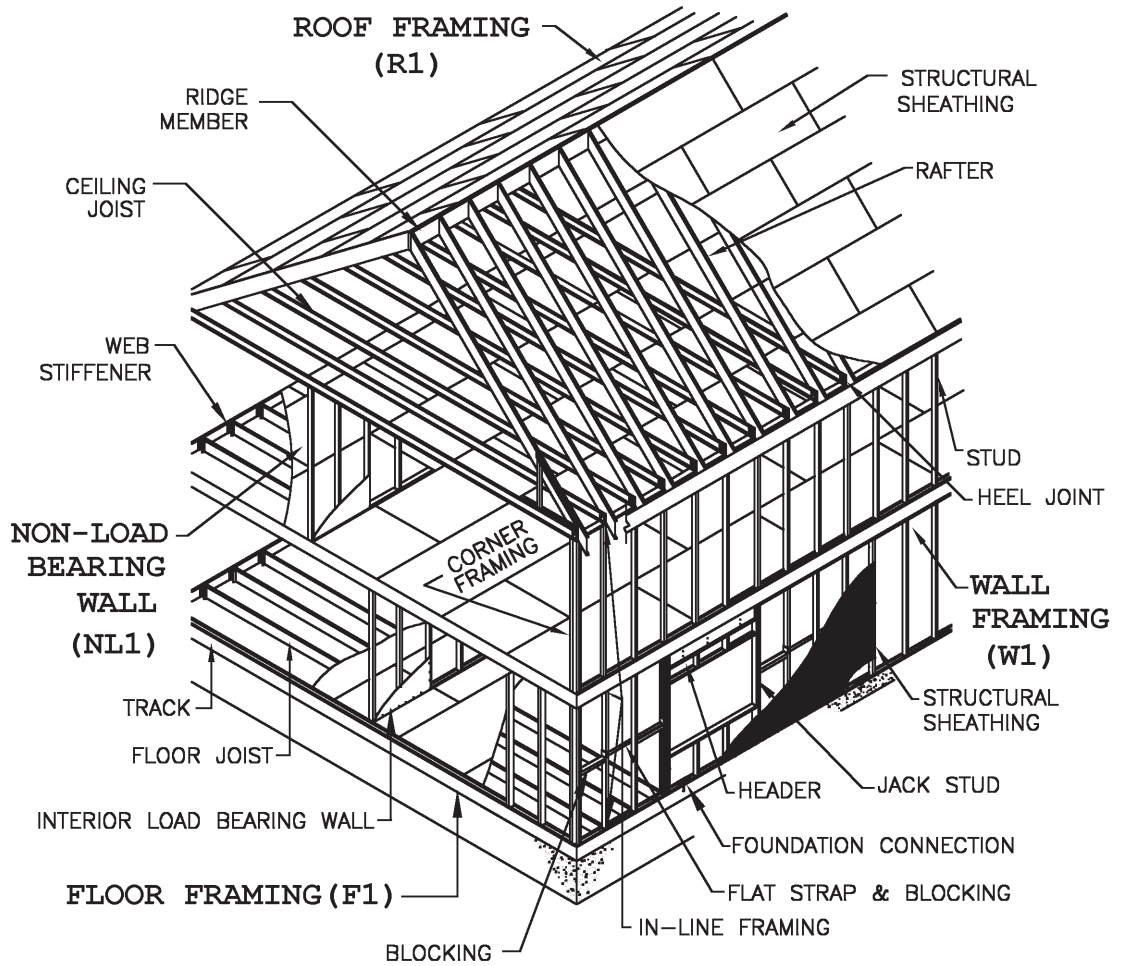
Definitions

Anchor:	Metal rod, wire, strap, or bolt that secures structural members (such as joists and tracks) to its structural supports (such as foundation).
Axial Load:	The longitudinal force acting on a member. Examples are the gravity loads carried by columns or studs.
Blocking:	Solid block or piece of material placed between structural members to provide lateral bracing as in bridging and/or edge support for sheathing.
Bridging:	Cross bracing or blocking placed between joists to provide lateral support.
C-Shape:	A basic cold-formed steel shape used for framing members (such as studs, joists, headers, and rafters). It consists of a web, flange, and lip. It is also called a “C-section.”
Cantilever:	An extension of roof or floor framing members without a direct support.
Ceiling Joist:	A horizontal structural framing member that supports a ceiling and attic loads.
Clip Angle:	An L-shaped short piece of metal (normally with a 90-degree bend). It is typically used for connections.
Continuous Joist:	A joist that spans over interior supports.
Collar Tie:	Brace member used to brace roof rafters near the top.
Cripple Stud:	A stud that is placed between a header and a window sill (or jamb) or a windowsill and a bottom track to provide a backing to attach finishing and sheathing material.
Diaphragm:	A roof or floor system designed to transmit lateral forces to shear walls or other vertical resisting elements.

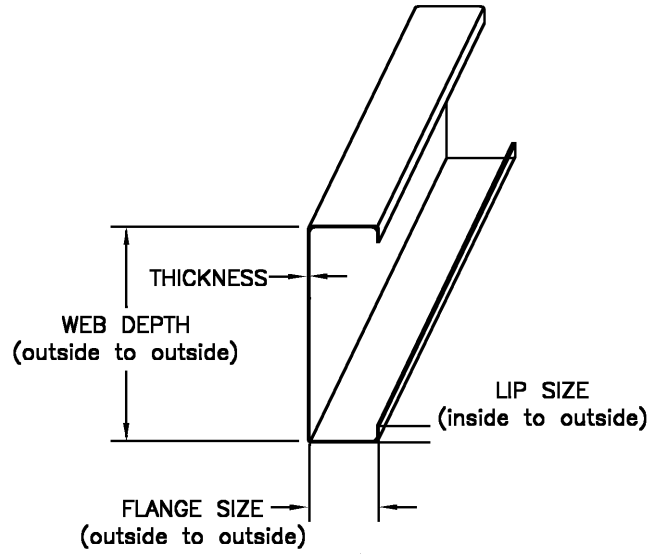
Flange:	The part of a C-Shape or track that is perpendicular to the web.
Flat Strap:	Sheet steel cut to a specified width without any bends. Typically used for bracing and transfer of loads by tension.
Floor Joist:	A horizontal structural framing member that supports floor loads.
Gable End:	Where the triangular upward extension of either side walls or the front walls of the house provide the end supports for the two sloping roof planes.
Header:	A horizontal built-up structural framing member used over wall or roof openings to transfer loads above the opening to adjacent vertical framing members.
Heel Joint:	The connection between the roof rafter and the ceiling joist.
In-Line Framing:	Framing method where all vertical and horizontal load carrying members are aligned when required to properly transfer loads.
Jack Stud:	A vertical structural member that does not span the full height of the wall and provides bearing for headers. Sometimes referred to as trimmer studs.
King Stud:	A vertical structural member that spans the full height of the wall and supports vertical loads and lateral loads. Usually located at both ends of a header adjacent to the jack studs.
Lip:	The part of a C-Shape that extends from the flange at the open end. The lip increases the strength characteristics of the member and acts as a stiffener to the flange.
Material Thickness (steel):	The base metal thickness excluding any protective coatings. Thickness is now commonly expressed in mils (1/1000 of an inch).
Mil:	A unit of measurement used in measuring the thickness of thin steel elements. One mil equals 1/1000 of an inch (e.g. 33 mil = 0.033 inch).
Multiple-Span:	The span made by a continuous member having intermediate supports.
Non-Load Bearing Walls (non-structural walls):	Refer to Walls.
Overlap Joists:	Two or more joists extending over a common support where the end of one joist is fastened to the end of another joist.
Overhang:	See cantilever.
Punchout (or hole):	An opening in the web of a steel-framing member allowing for the installation of plumbing, electrical, and utilities. A punchout or hole may be made during the manufacturing process or in the field with a hand punch, hole saw, or other suitable tool.
Rafter:	A structural framing member (usually sloped) that supports roof loads.

Ridge:	The horizontal line formed by the joining of the top edges of two sloping roof surfaces.
Shearwall:	A vertical wall assembly capable of resisting lateral forces to prevent racking from wind or seismic loads acting parallel to the plane of the wall.
Single Span:	The span made by one continuous structural member without any intermediate supports.
Splice:	A joint at which two pieces are joined to each other.
Span:	The clear horizontal distance between bearing supports.
Structural Sheathing:	The covering (e.g. plywood or oriented strand board) used directly over structural members (e.g. studs or joists) to distribute loads, brace walls, and generally strengthen the assembly.
Stud:	Vertical structural element of a wall assembly that supports vertical loads and/or transfers lateral loads.
Track:	Used for applications such as top and bottom plate for walls and band or rim joists for flooring systems. A track has a web and two flanges, but no lips. Track web depth measurements are taken to the inside of the flanges.
Truss:	An engineered structural component designed to efficiently carry its own weight and superimposed design loads. The truss members form a triangular structural framework.
Walls:	
Load Bearing:	Wall systems subject to loads that exceed the limits for a non-structural system (e.g. wall studs).
Non-Load Bearing:	Wall systems that are limited to 10 psf maximum lateral (transverse) load and/or limited, exclusive of sheathing materials, to 100 pounds per lineal foot or 200 pounds maximum superimposed vertical load per member (e.g. interior partitions).
Web:	The part of a C-Shape or track section that connects the two flanges.
Web Opening:	See "Punchout."
Web Perforation:	See "Punchout."
Web Stiffener:	Additional material that is attached to the web to strengthen the member against web crippling. Also called a bearing stiffener.

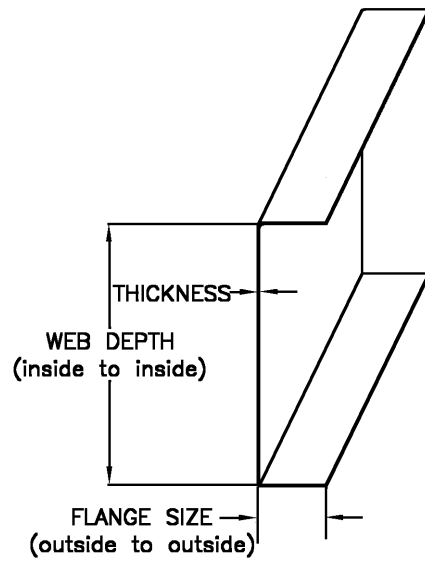
Detail G1
Schematic of Typical Steel-Framed House



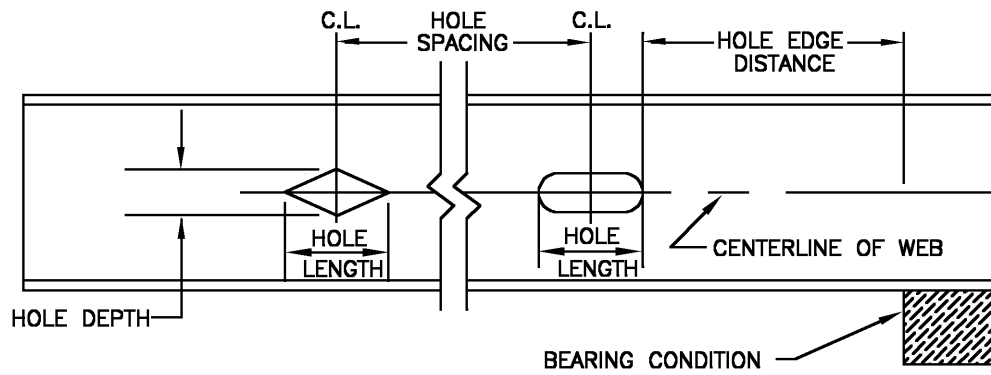
**Detail G2
C-Shape Configuration**



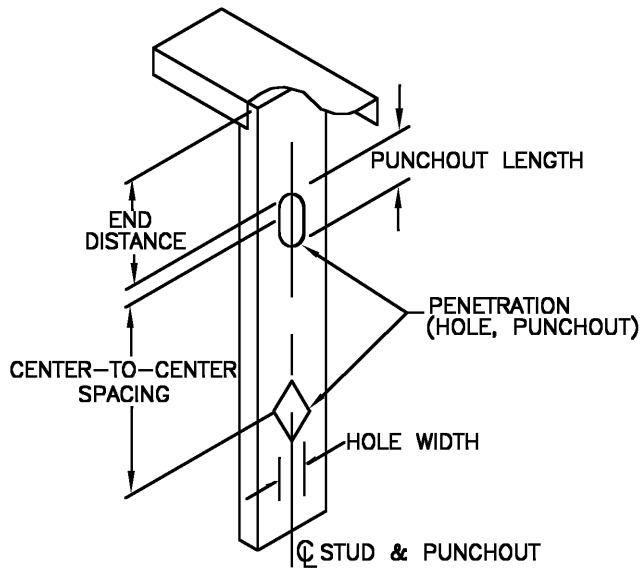
**Detail G3
Track Configuration**



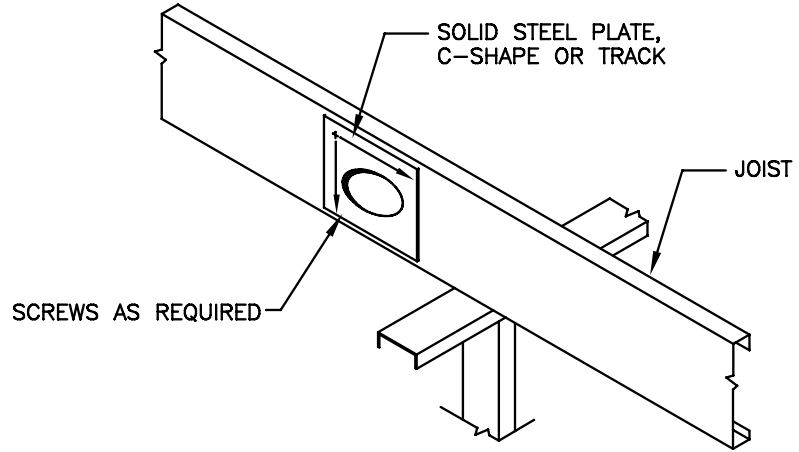
**Detail G4
Joist Web Holes**



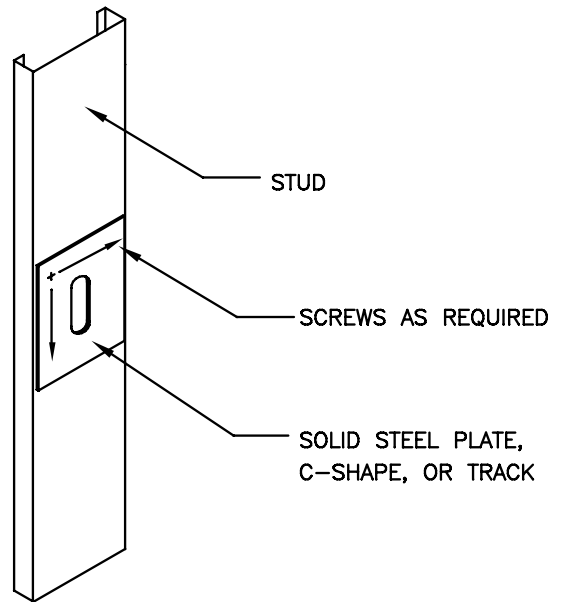
**Detail G5
Stud Web Holes**



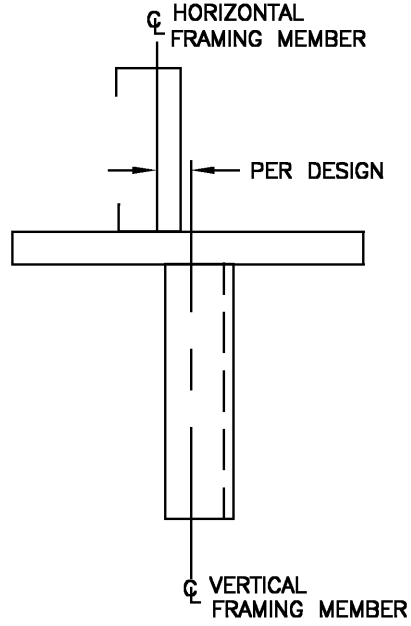
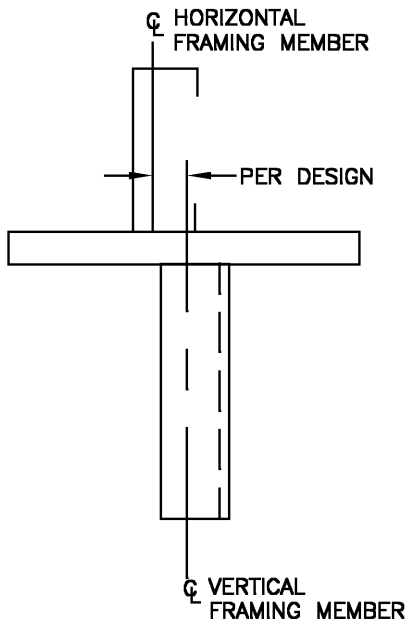
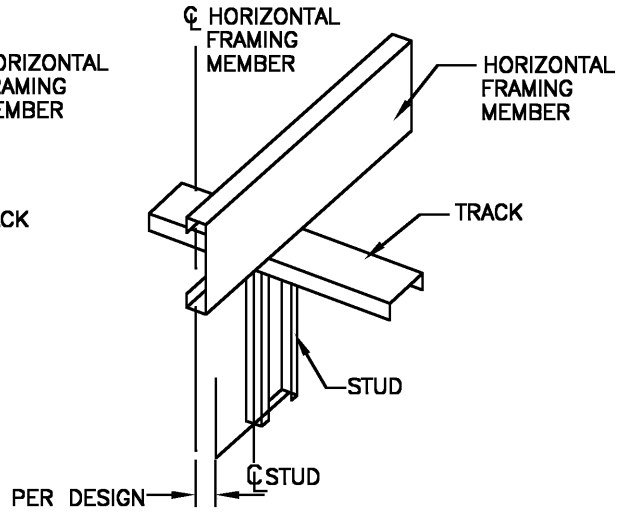
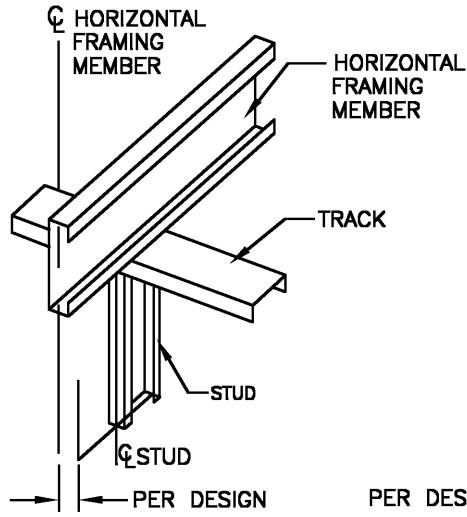
**Detail G6
Joist Web Hole Patch**



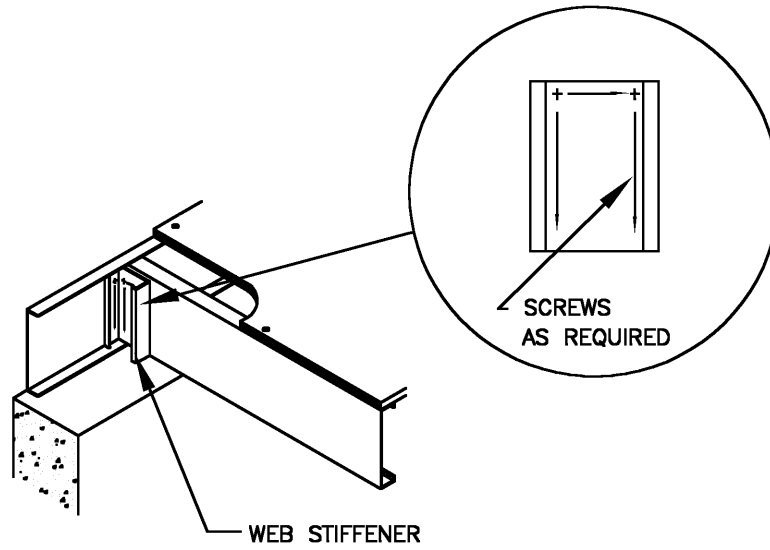
**Detail G7
Stud Web Hole Patch**



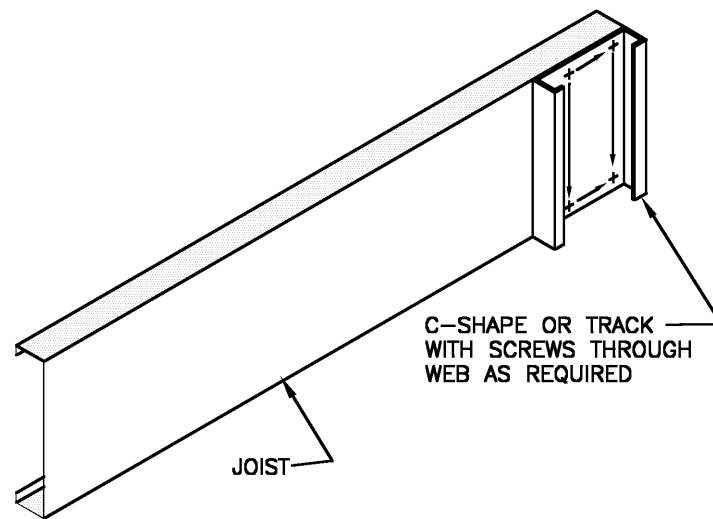
Detail G8 In-Line Framing Detail



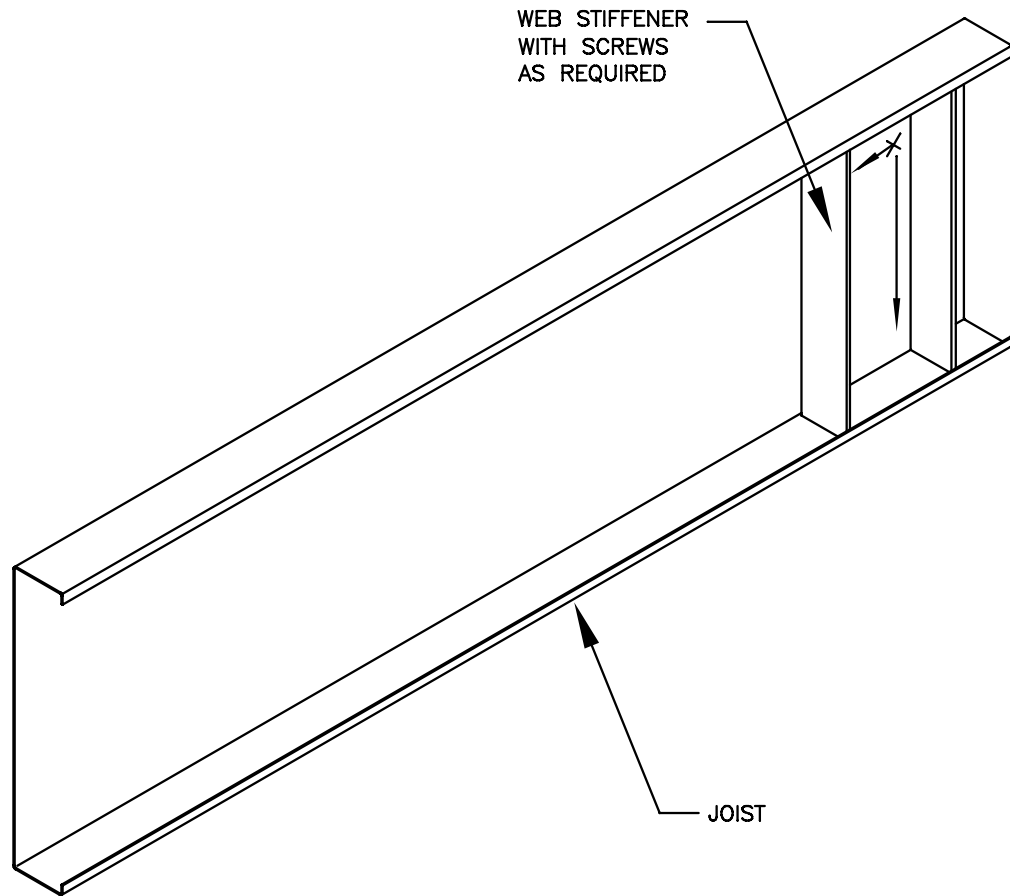
Detail G9
Web Stiffener Detail 1



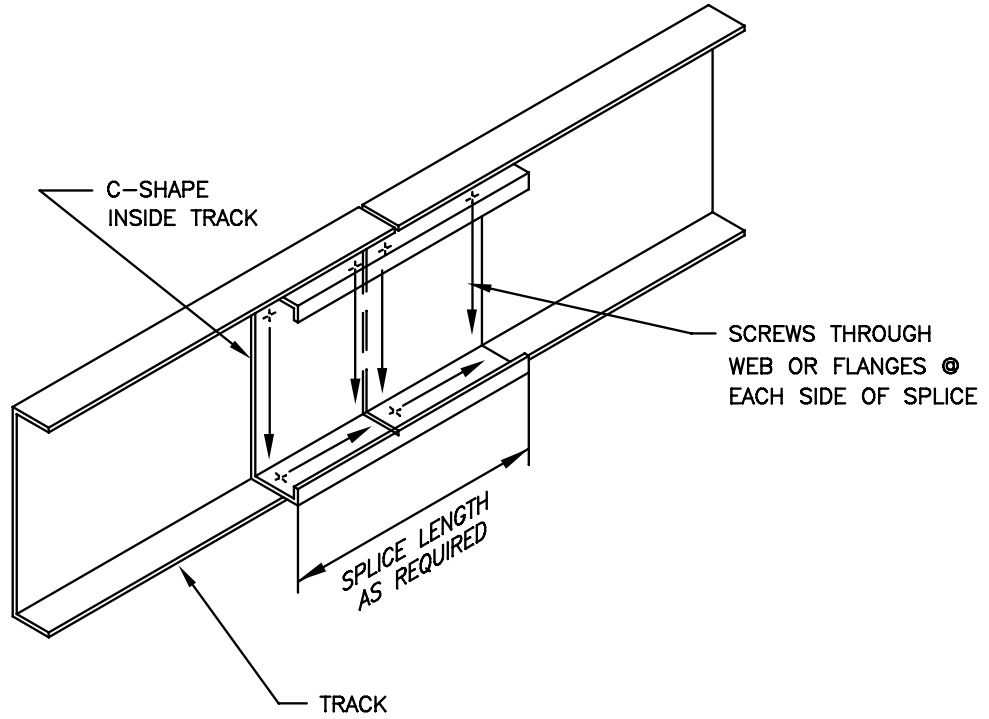
Detail G10
Web Stiffener Detail 2



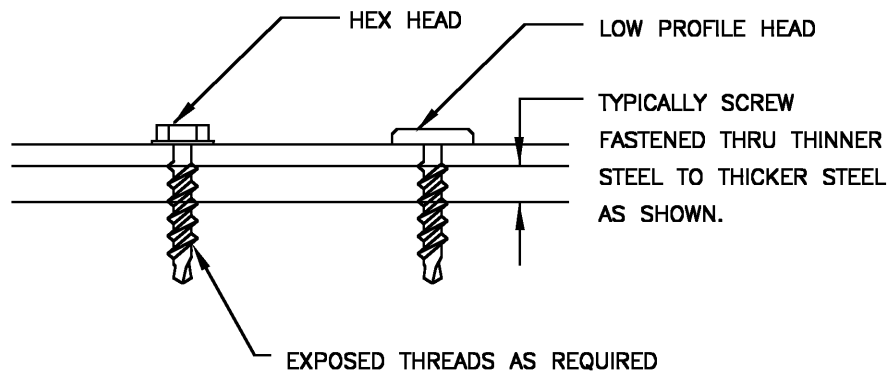
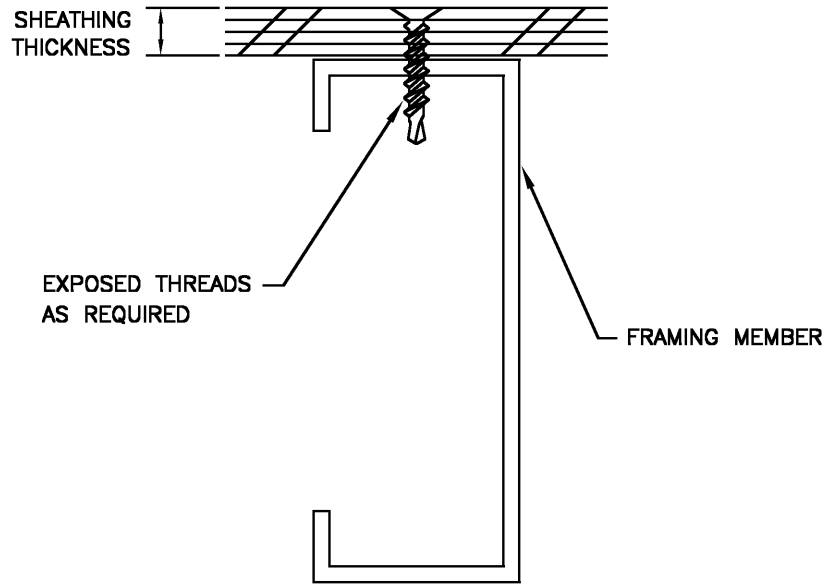
Detail G11
Web Stiffener Detail 3



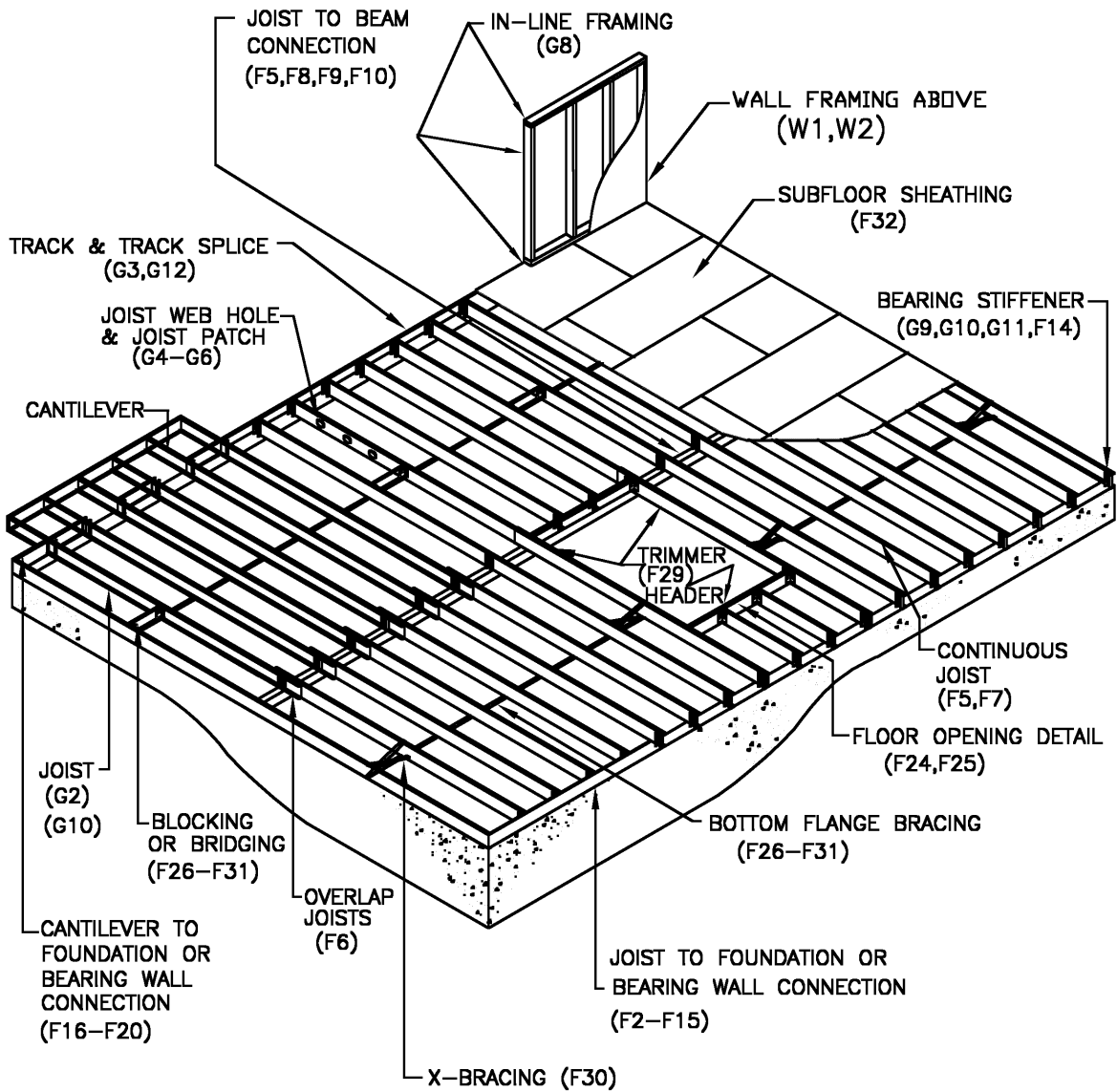
Detail G12
Track Splice Detail



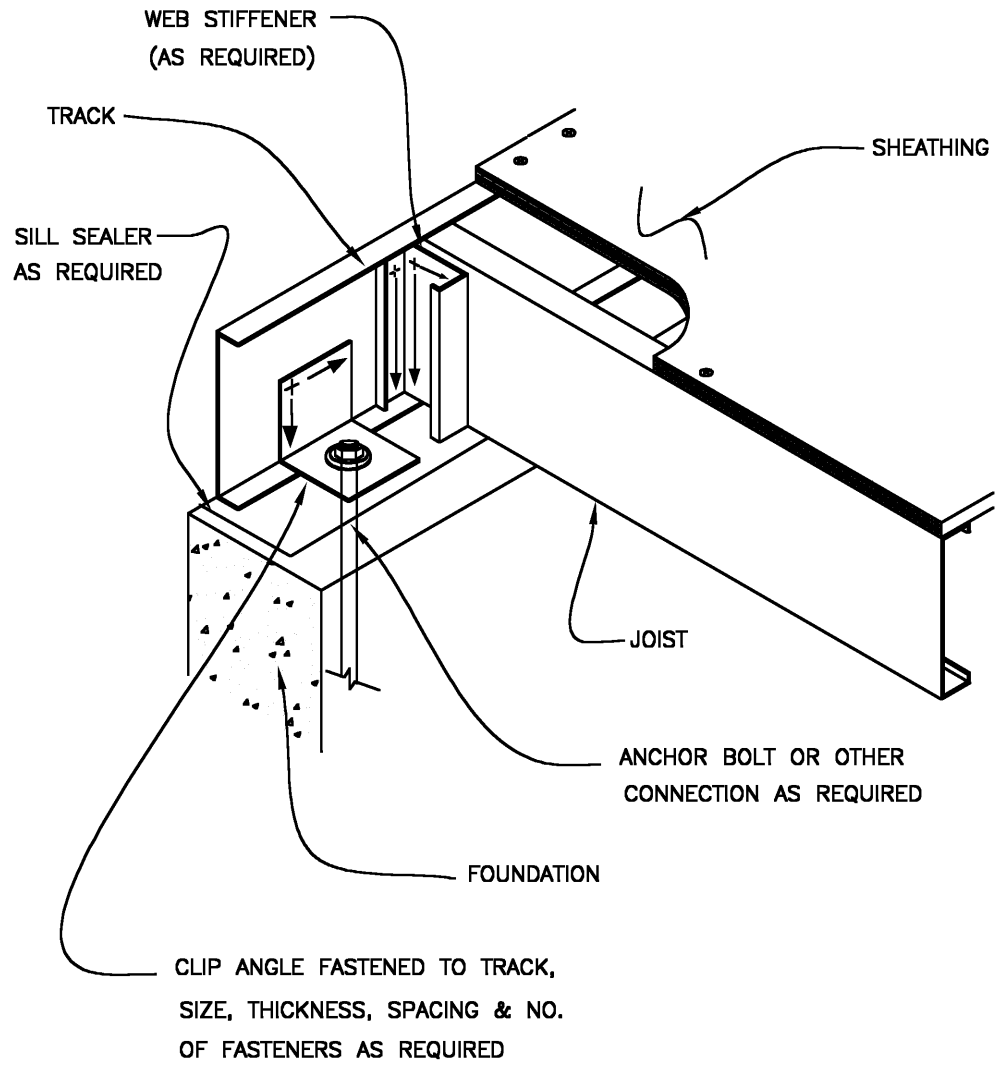
Detail G13
Screw Attachment Detail



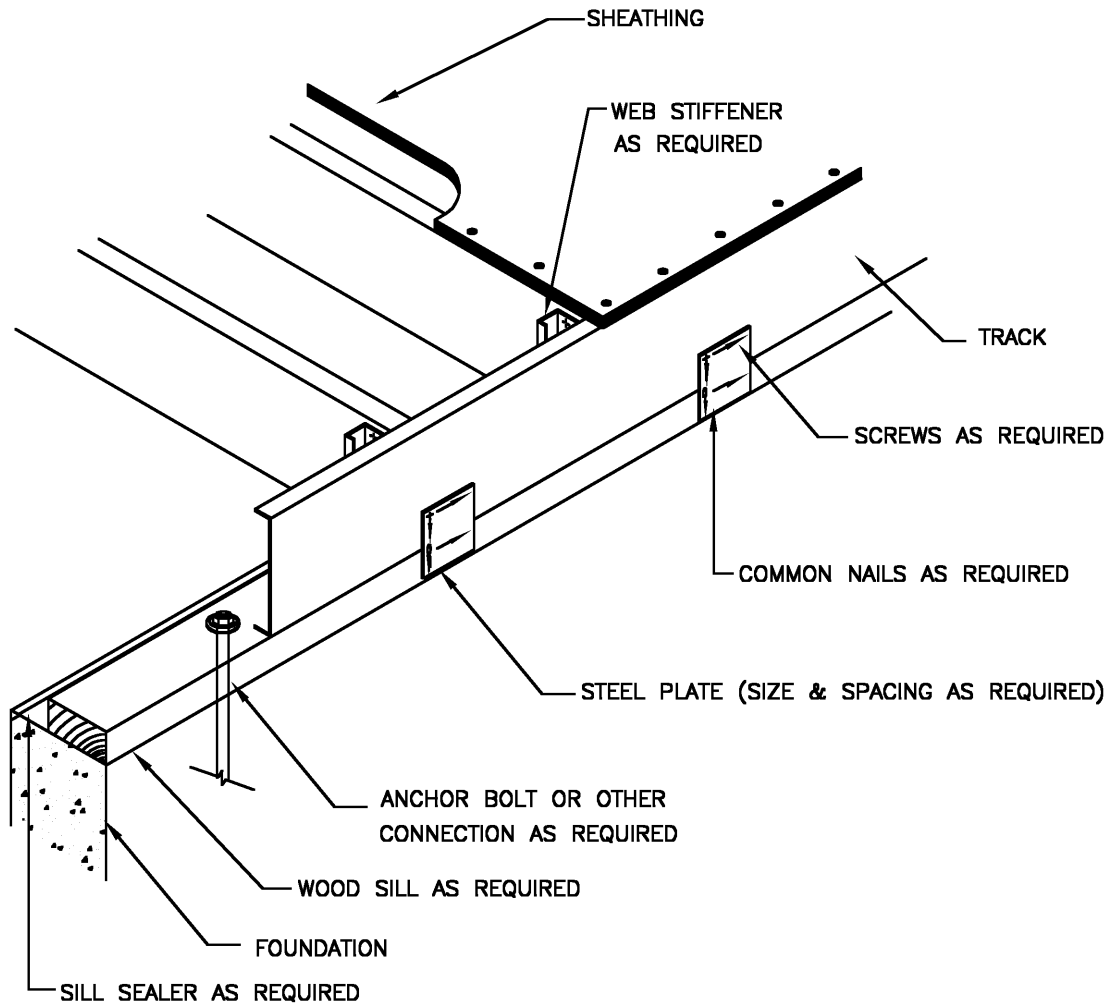
Detail F1 Floor Framing



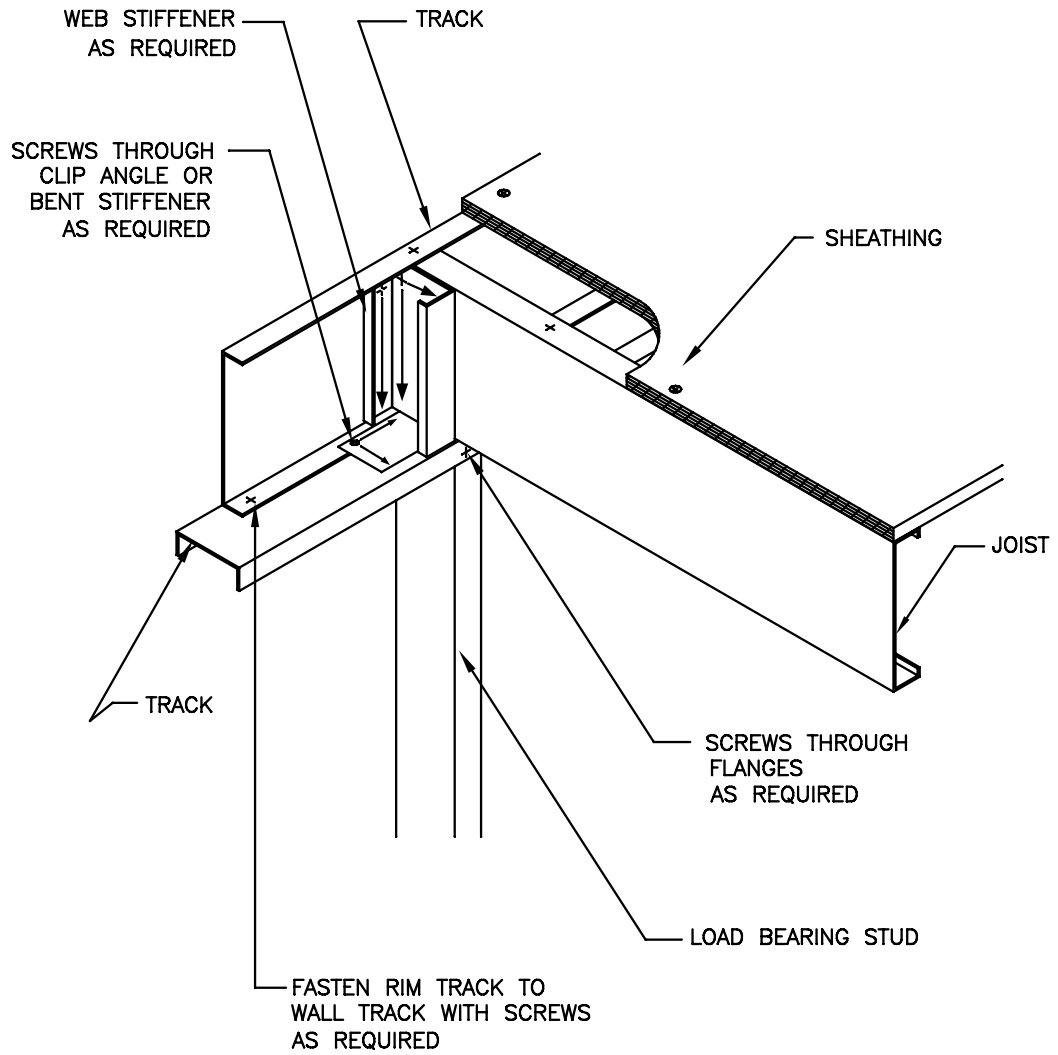
**Detail F2
Floor to Foundation Connection**



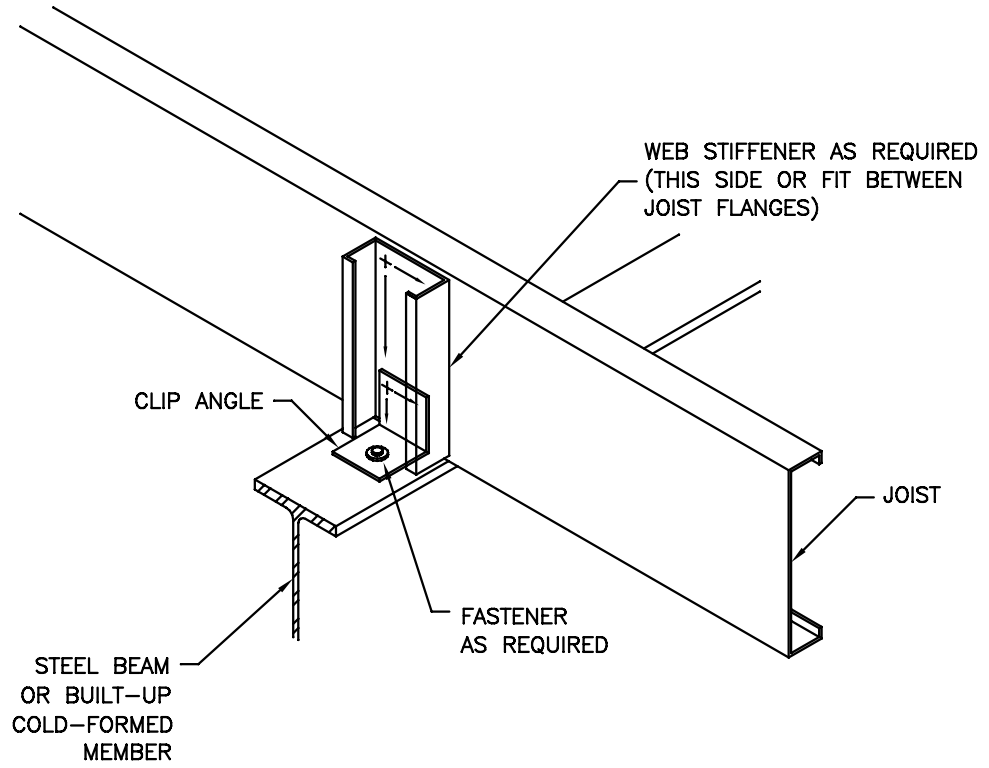
Detail F3
Floor to Wood Sill Connection



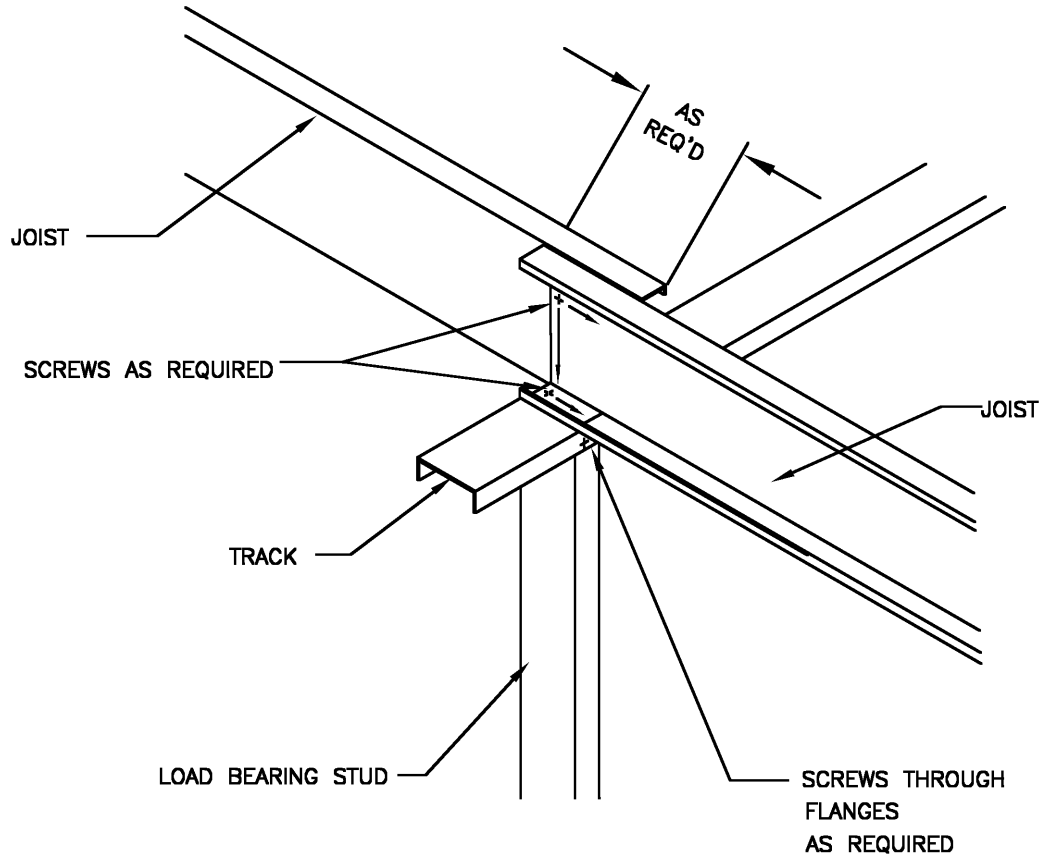
Detail F4 Floor to Load Bearing Wall Connection



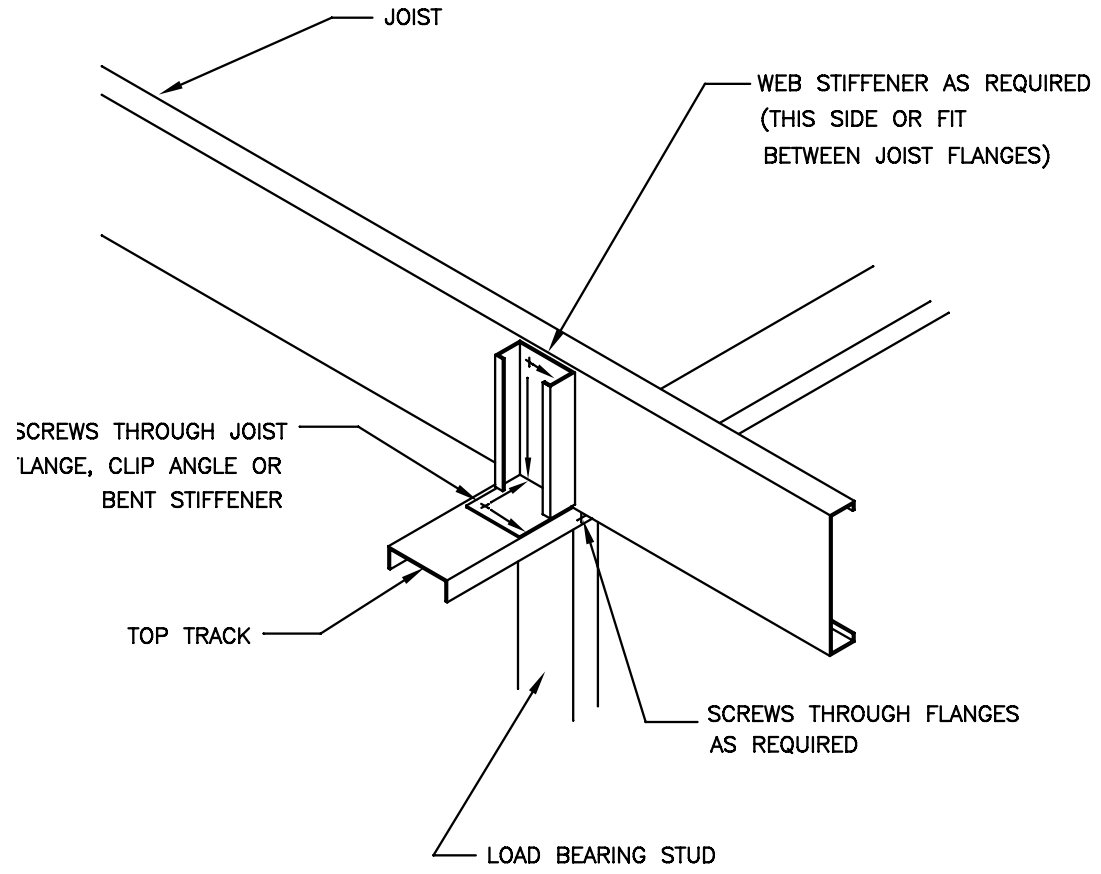
Detail F5
Floor Bearing on I-Beam Connection



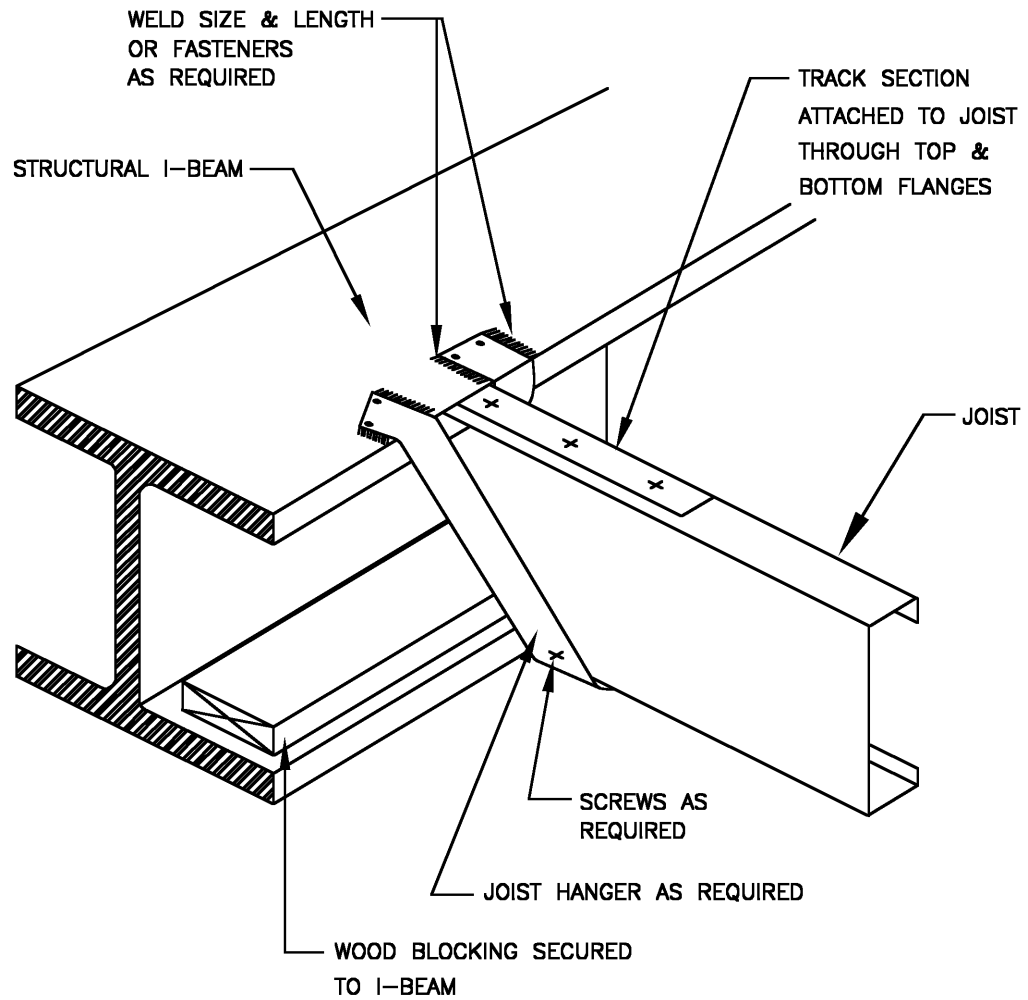
**Detail F6
Lapped Joists**



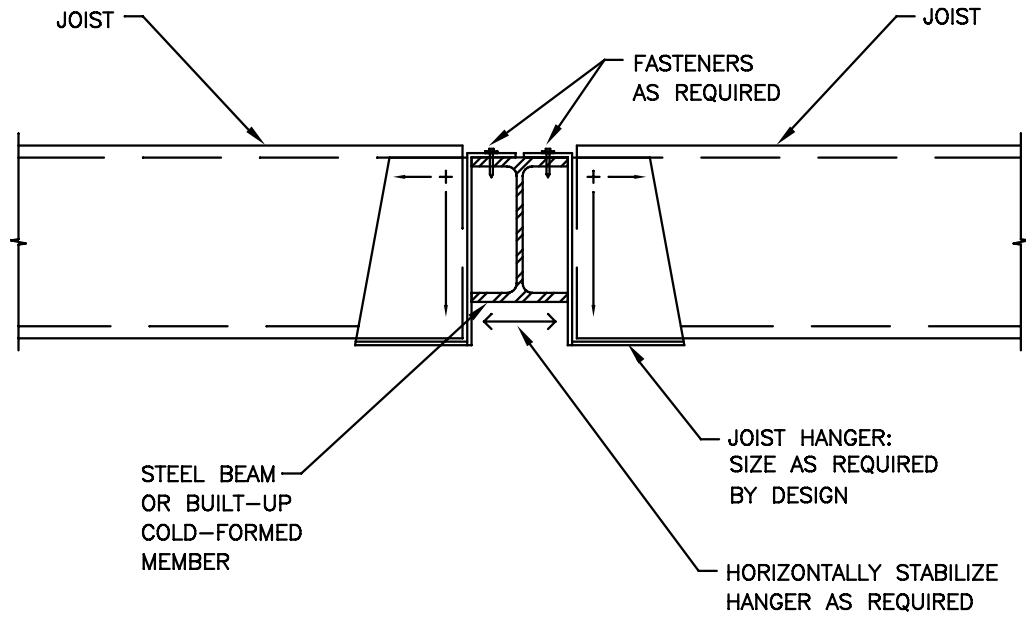
Detail F7 Continuous Joist



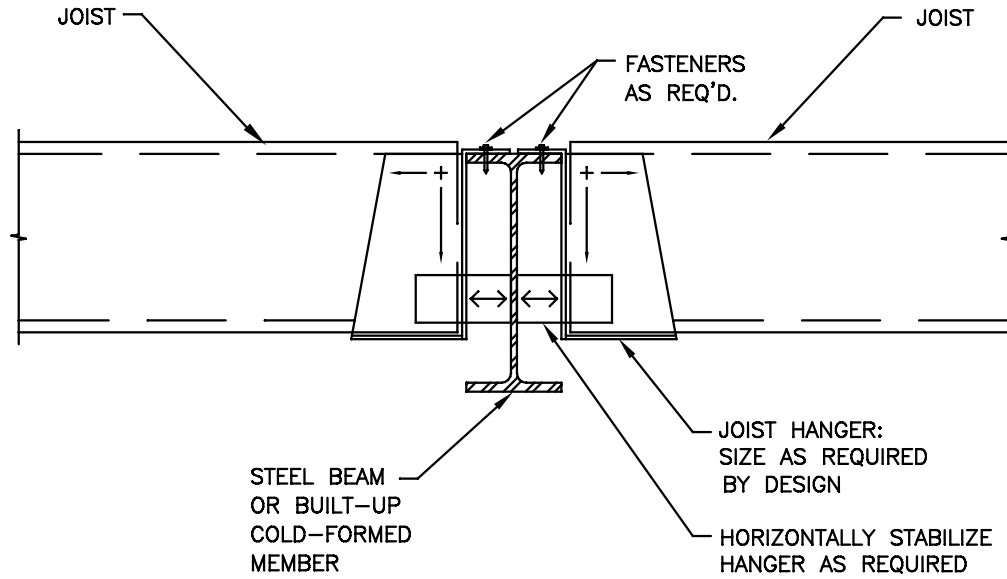
Detail F8
Floor to I-Beam Side Connection



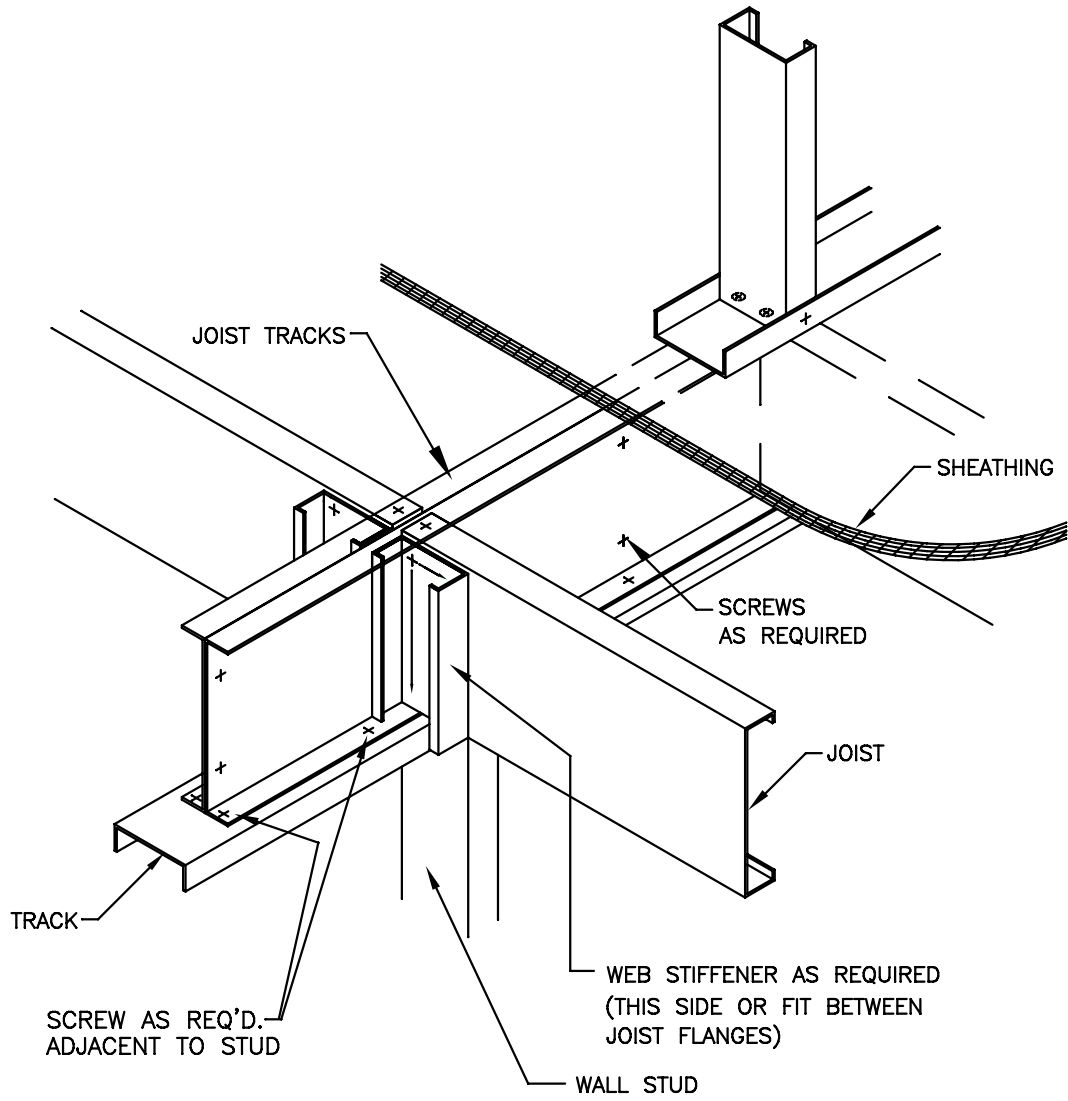
Detail F9
Joists Supported by Shallow I-Beam



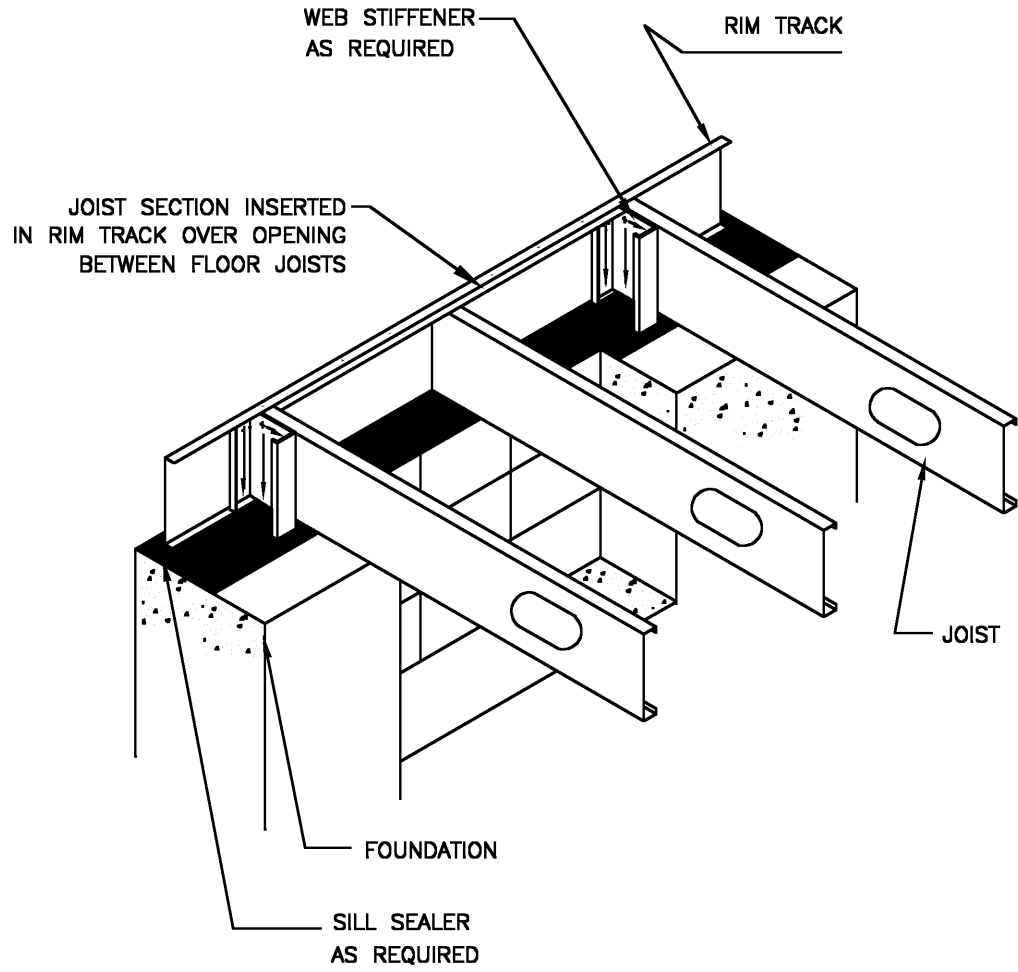
Detail F10
Joists Supported by Deep I-Beam



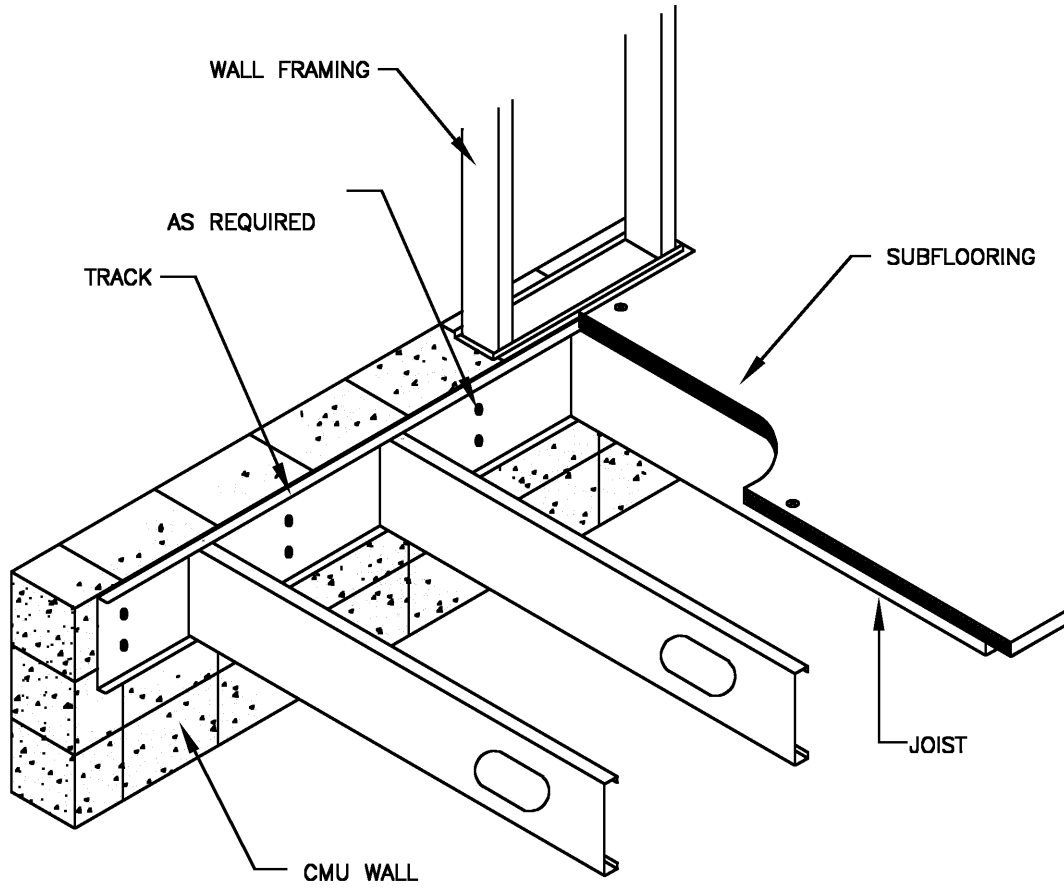
Detail F11
Floor Joists at Interior Bearing Wall



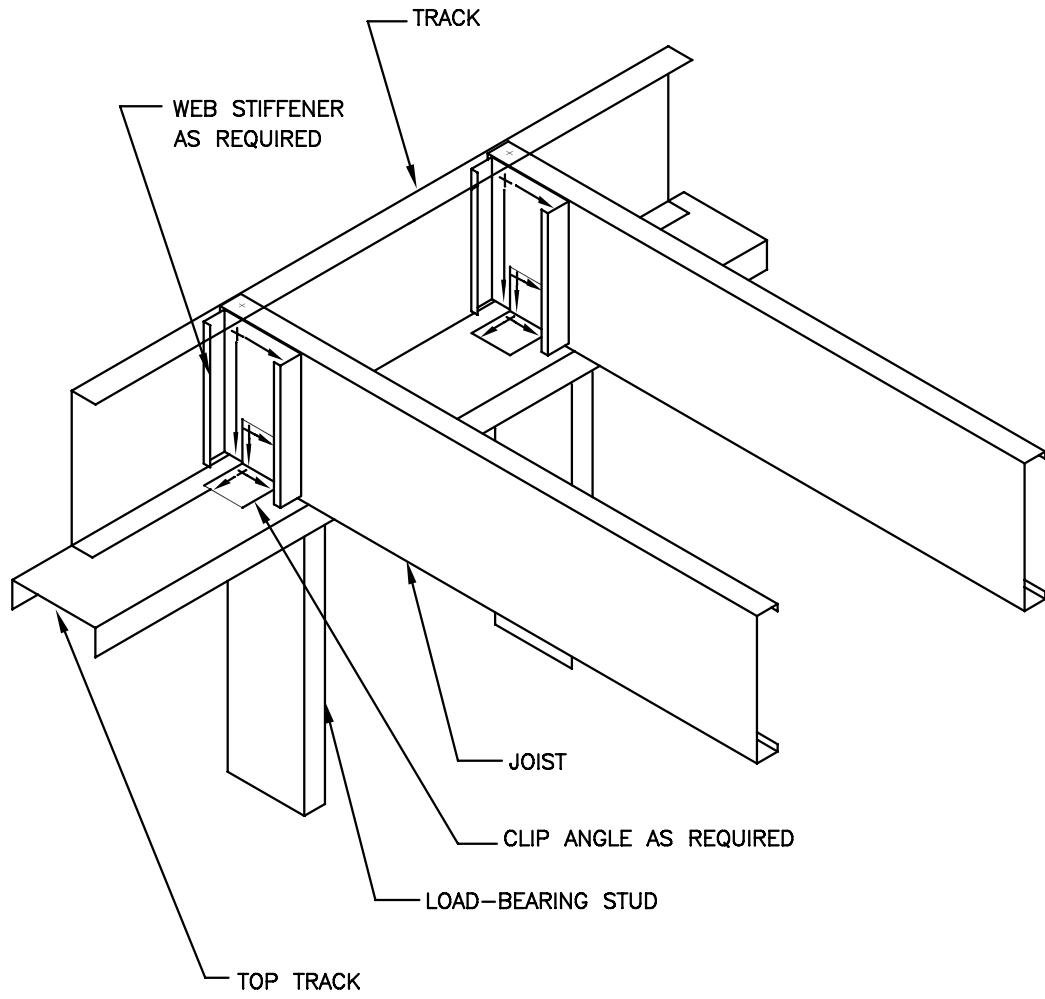
Detail F12
Joists Bearing on Foundation at Opening



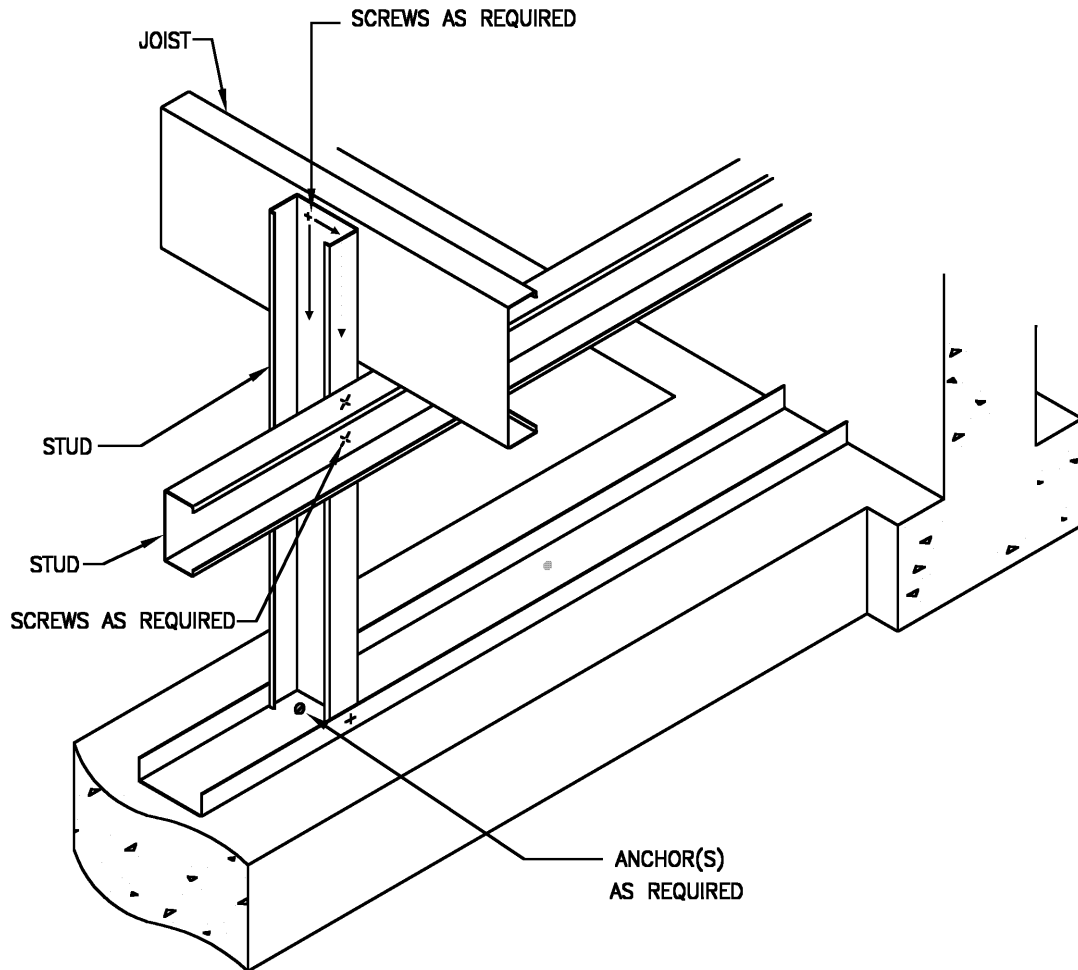
Detail F13
Floor to CMU Wall Side Connection



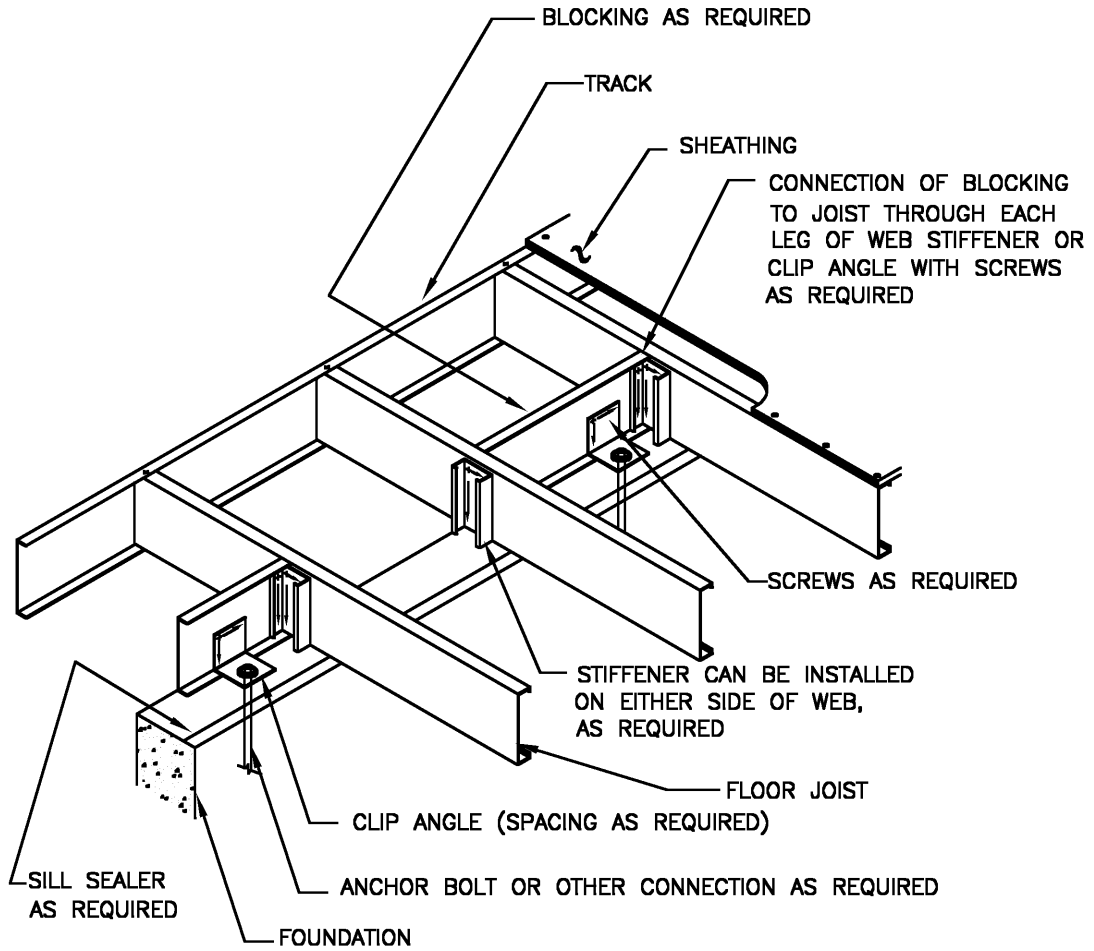
Detail F14
Web Stiffener at Load Bearing Wall



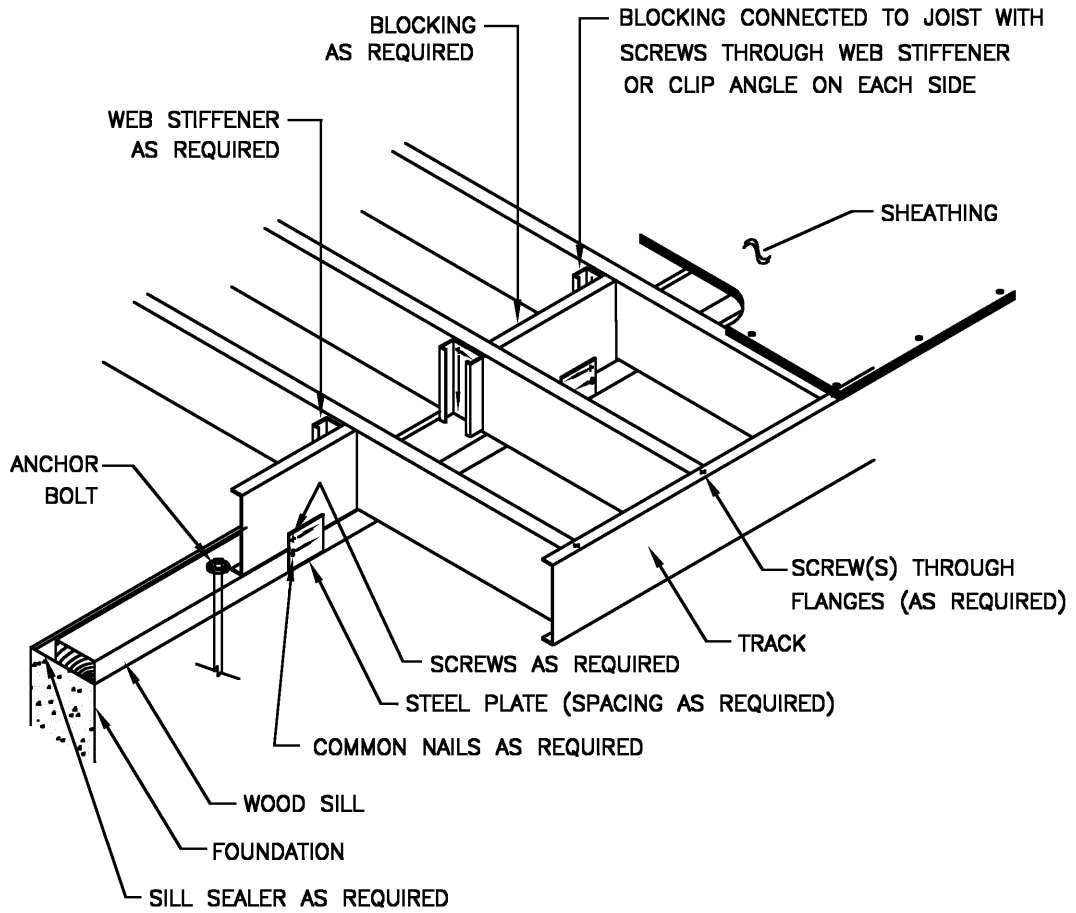
Detail F15 Alternate Pony Wall Detail



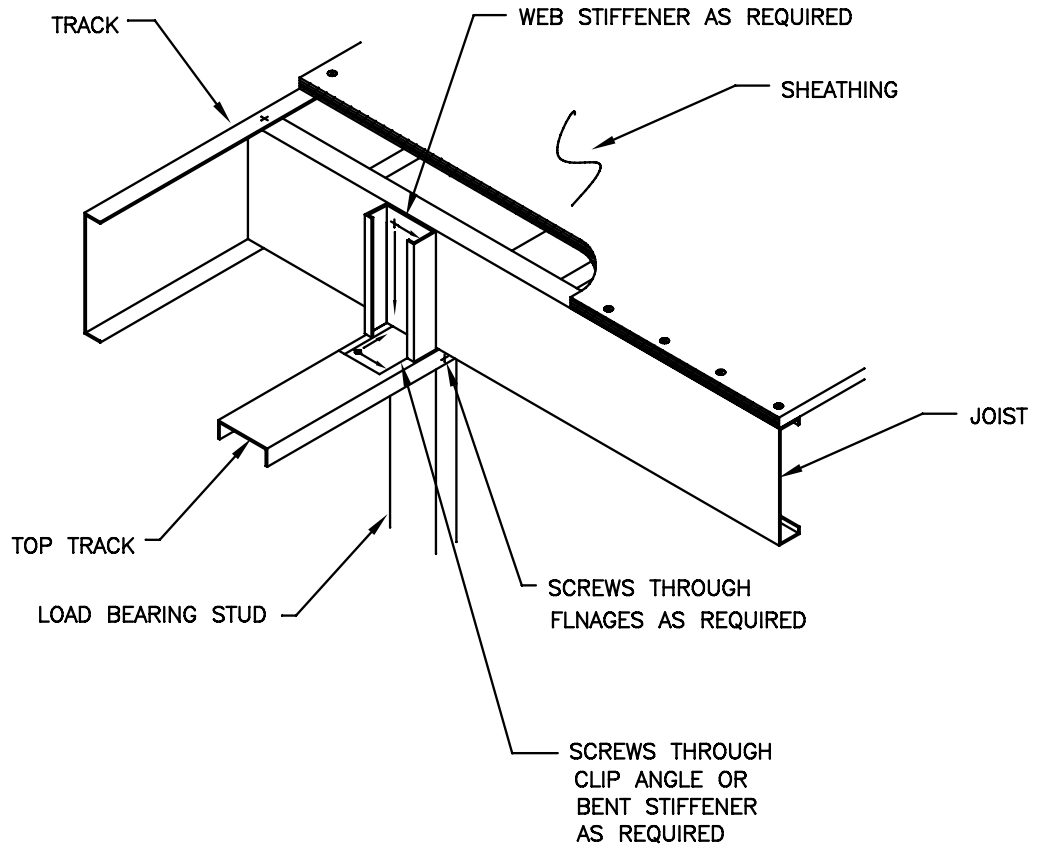
Detail F16
Cantilevered Joist to Foundation Connection



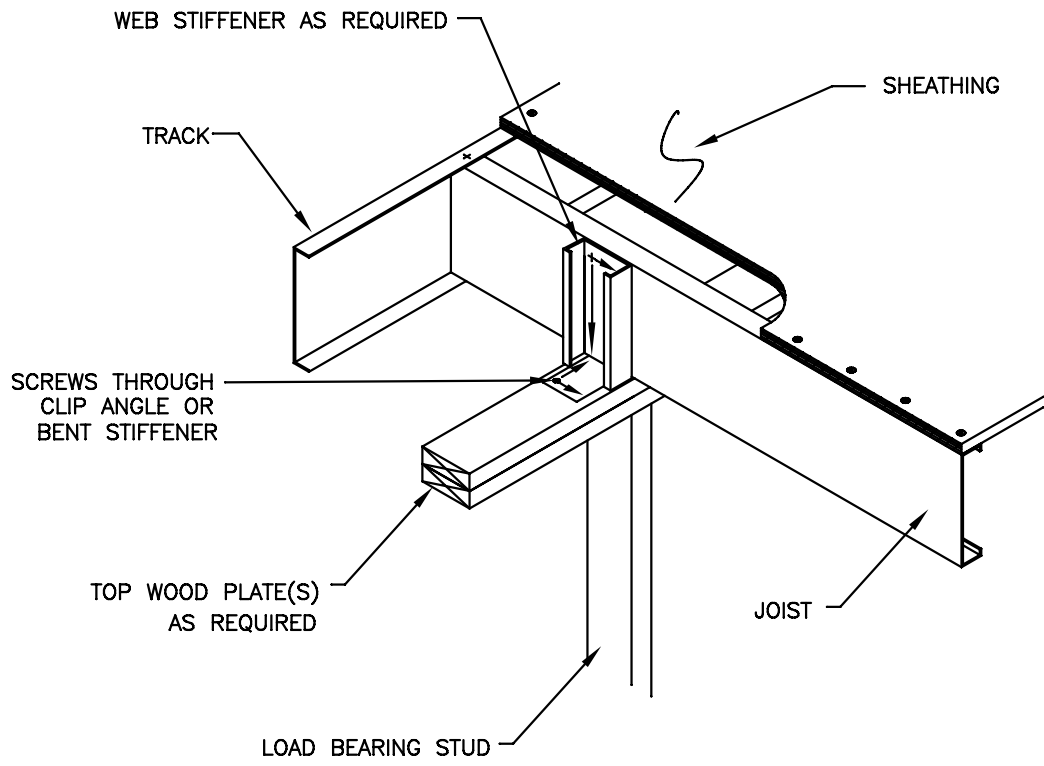
Detail F17 Cantilevered Joist to Wood Sill Connection



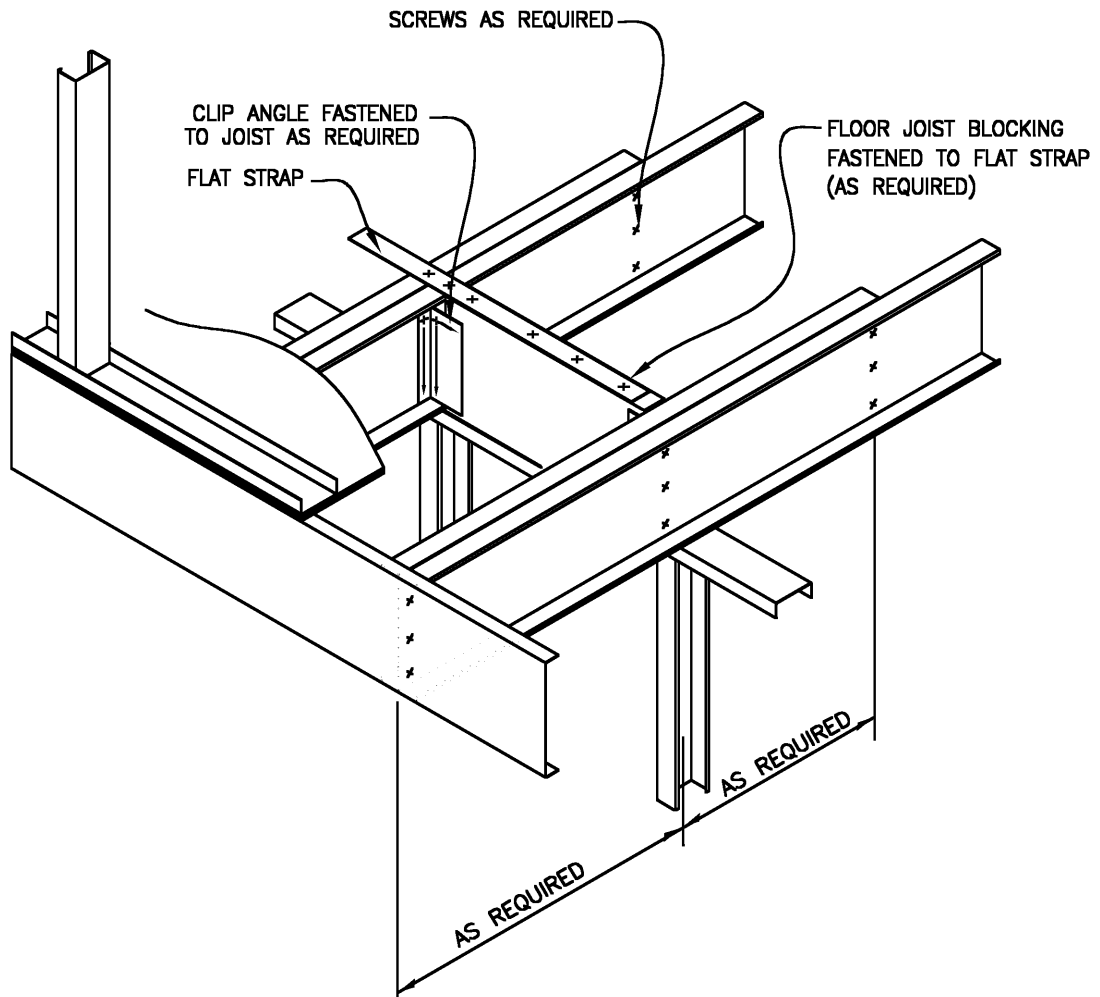
Detail F18
Cantilevered Joist to Bearing Wall Connection



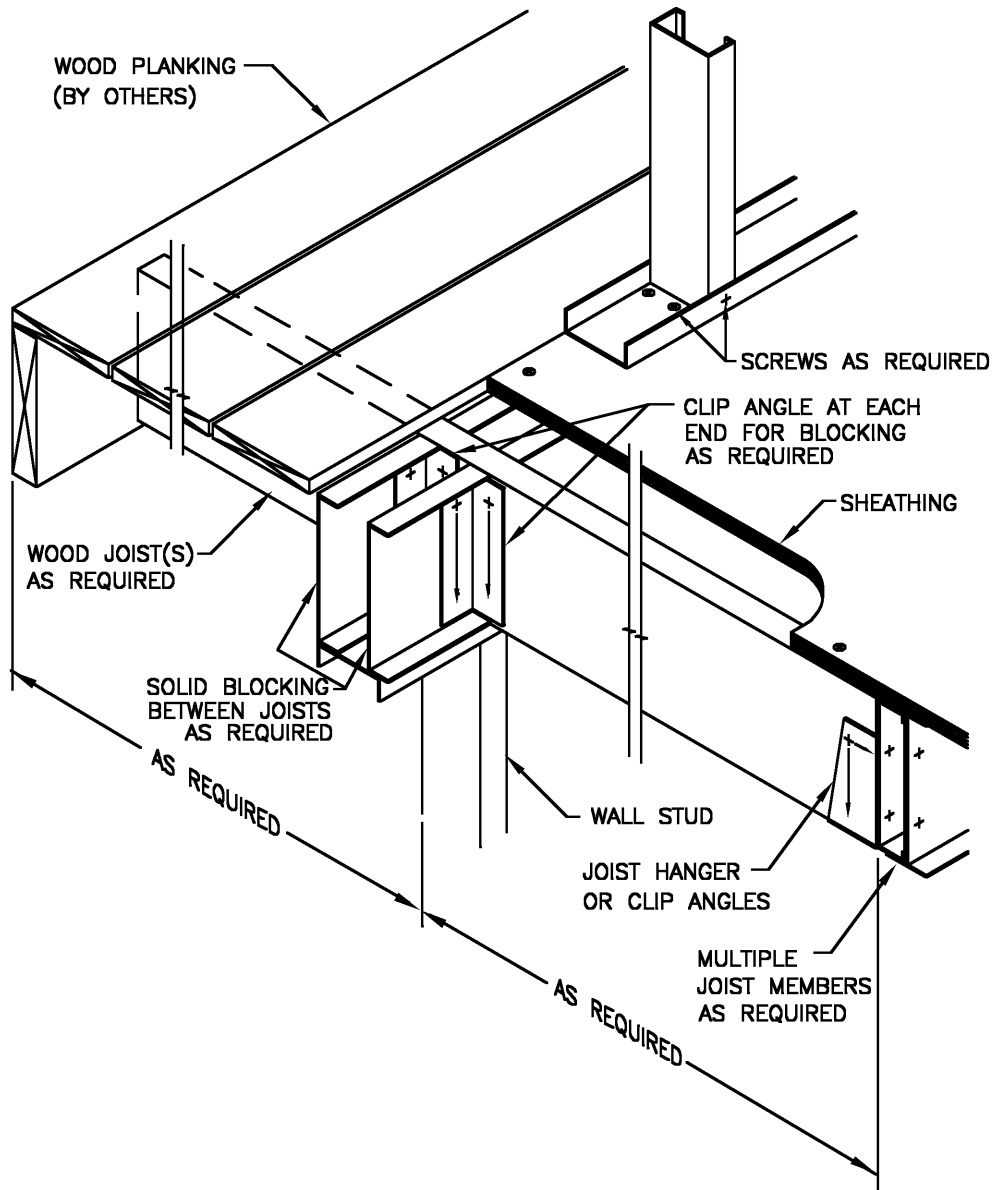
Detail F19
Cantilevered Joist to Wood Top Plate Connection



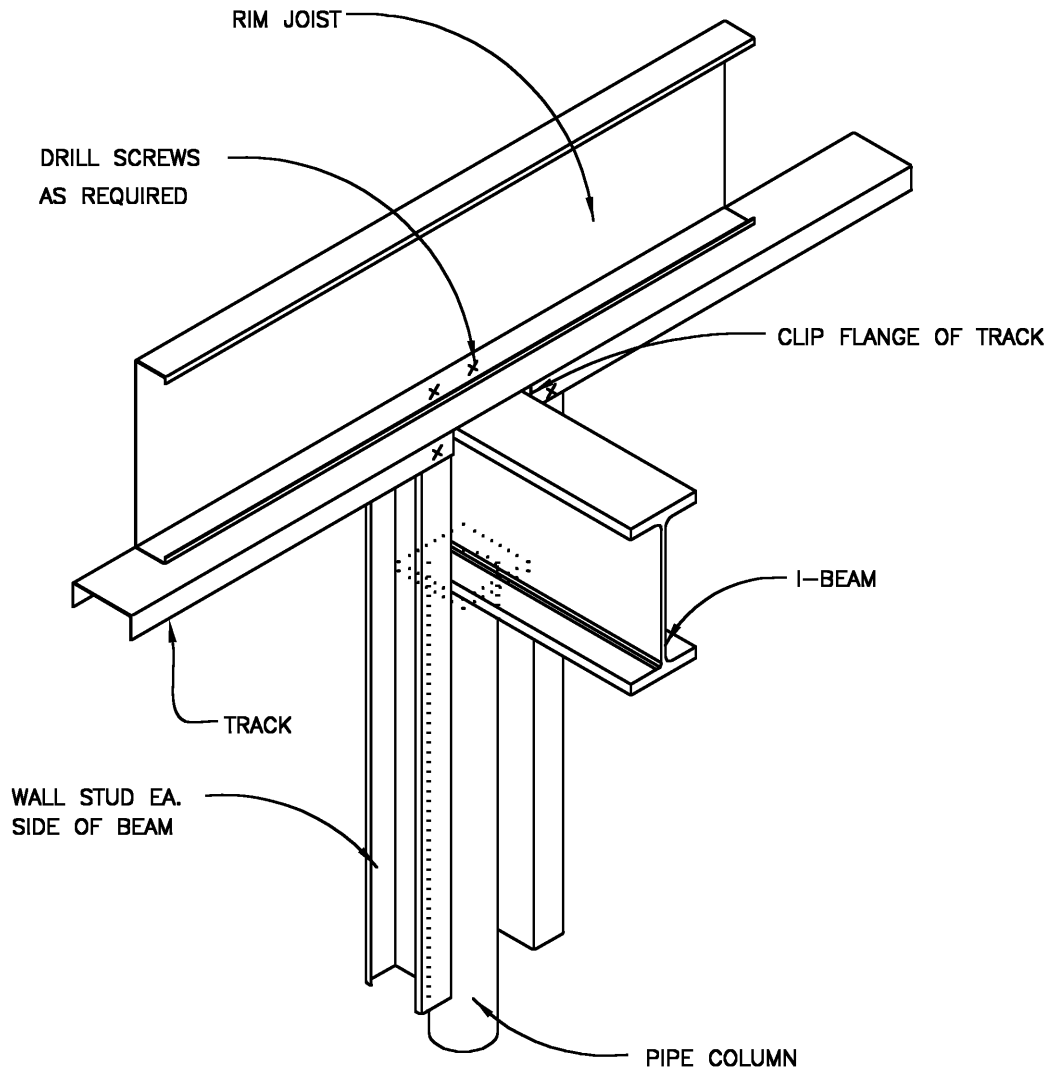
Detail F20
Double Cantilevered Joists



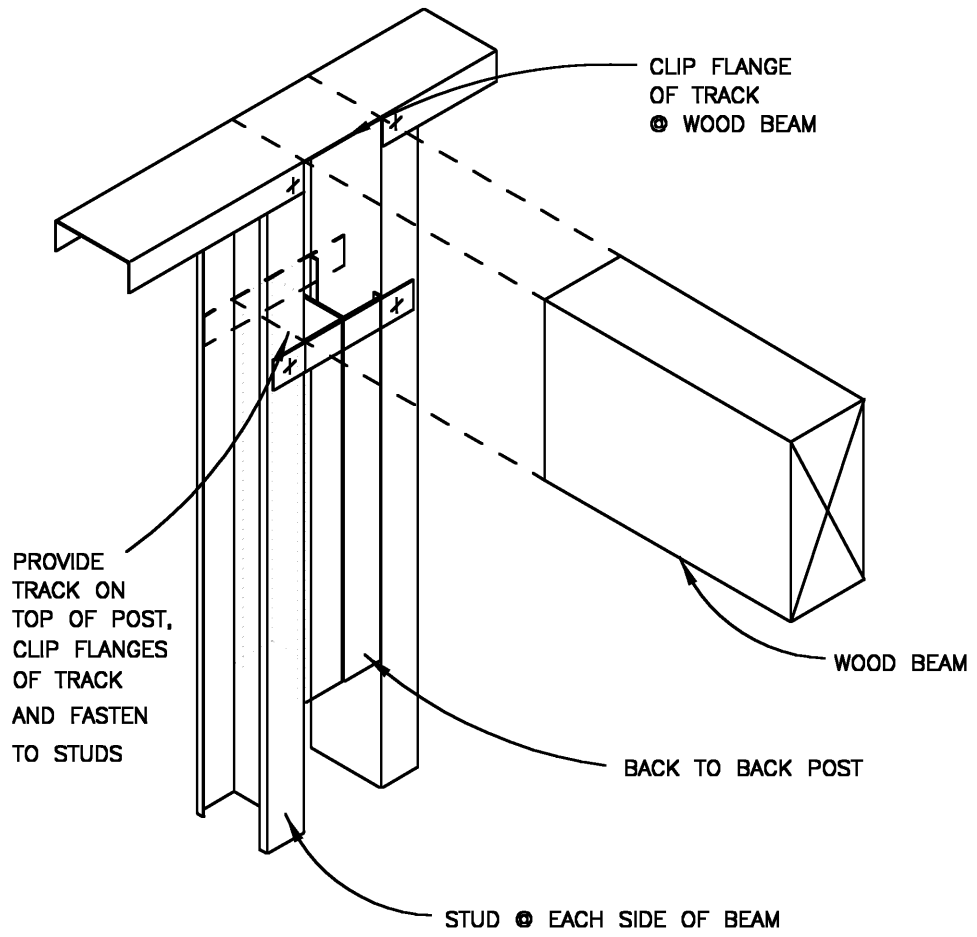
Detail F21 Wood Deck Balcony



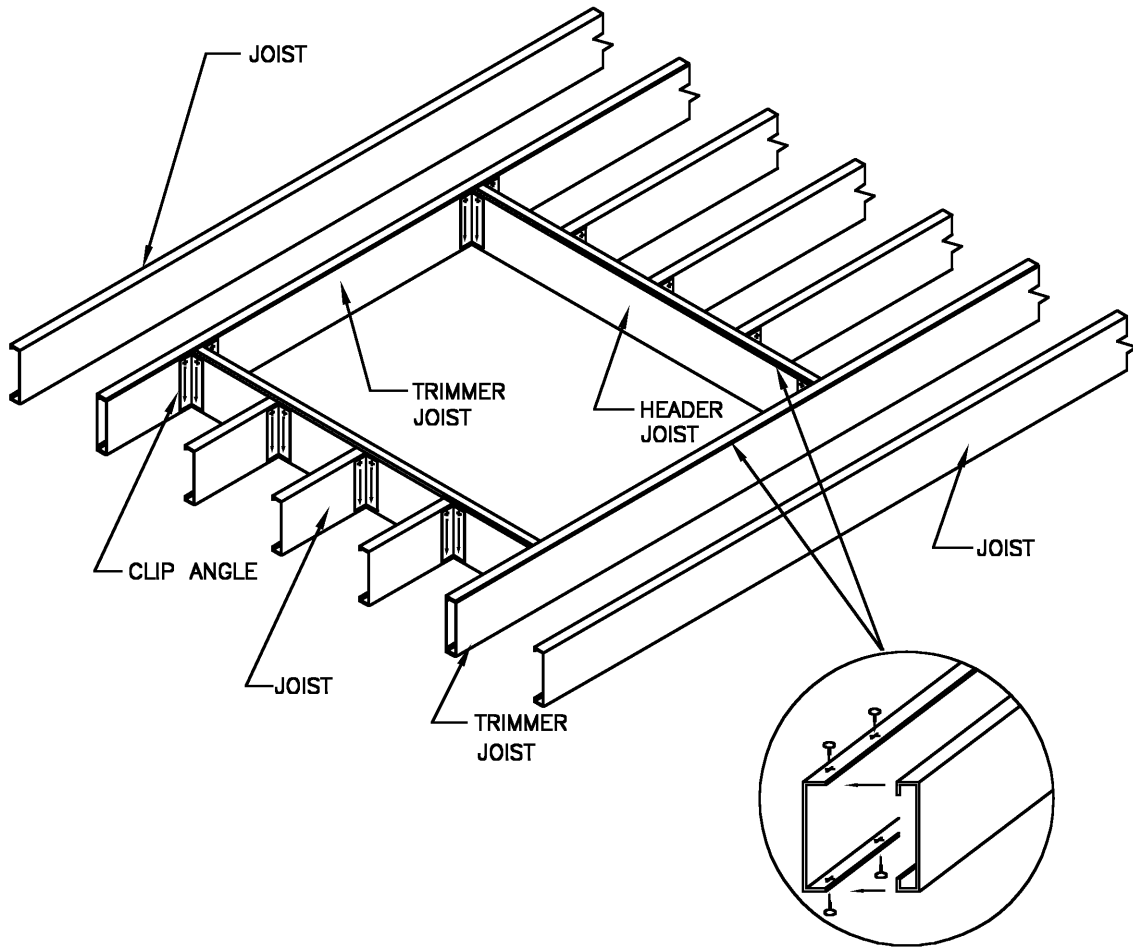
Detail F22
Beam Support with Column



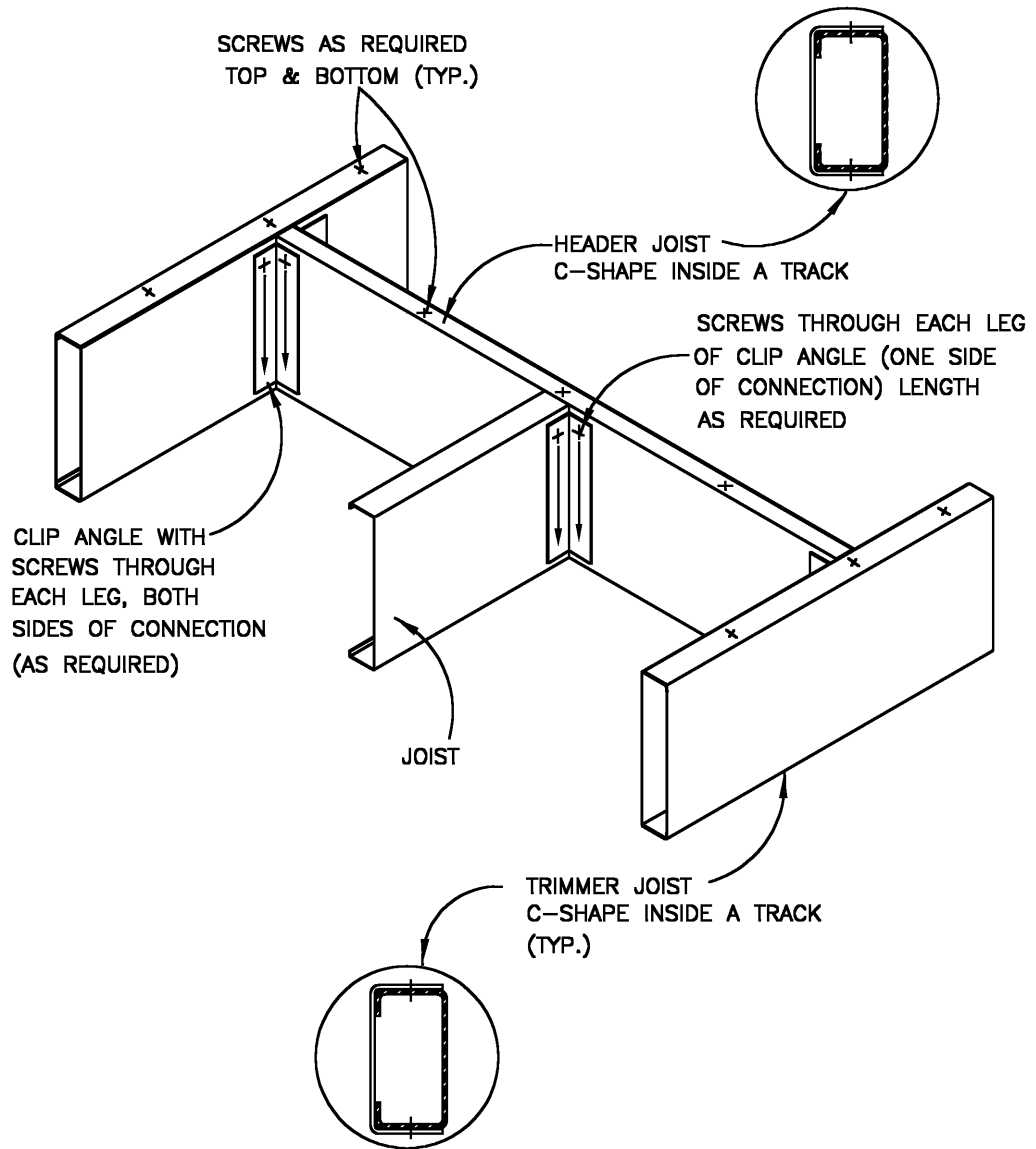
Detail F23 Beam Support



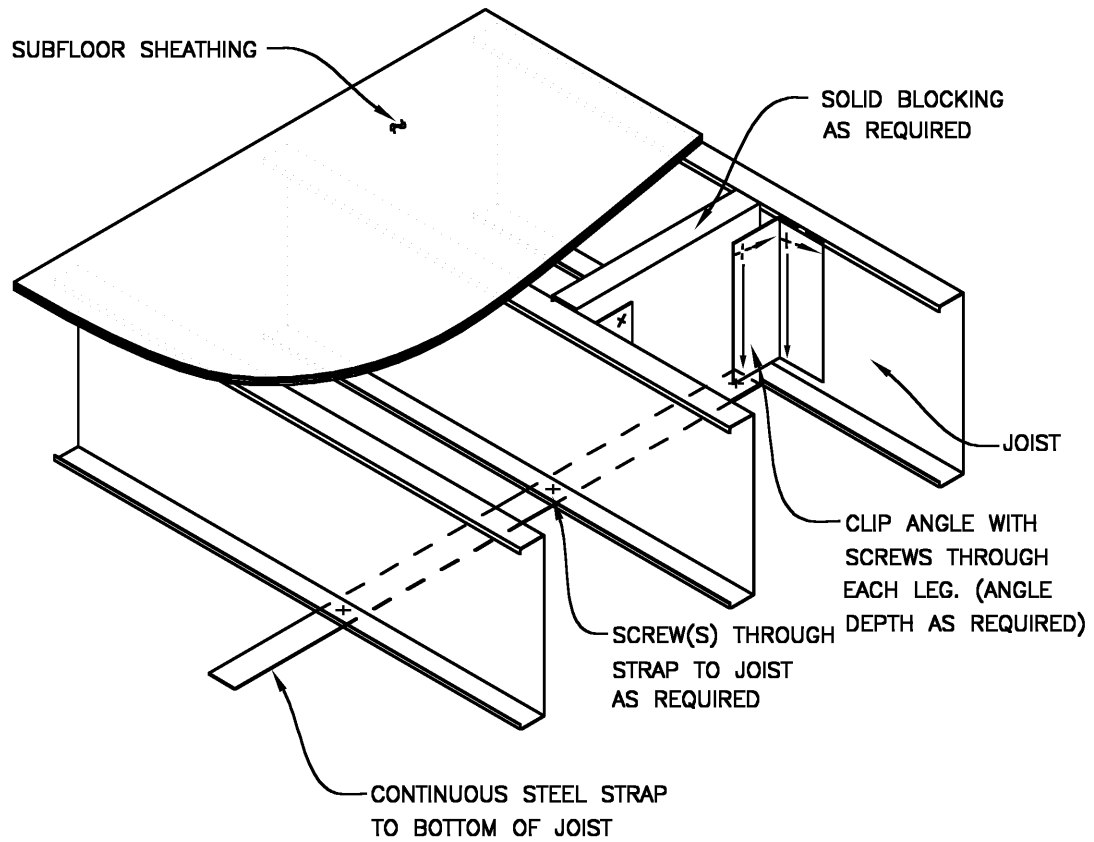
Detail F24
Floor Opening Detail



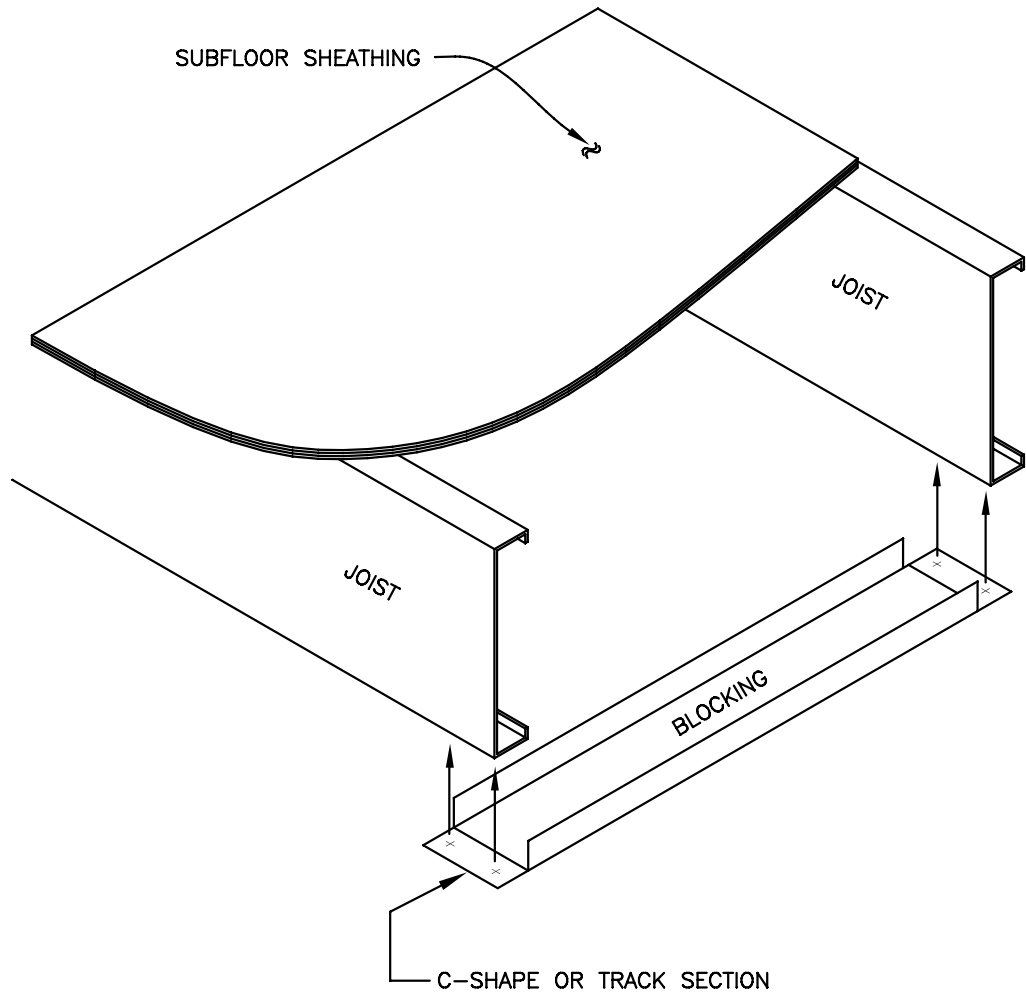
Detail F25 Floor Header and Trimmer Detail



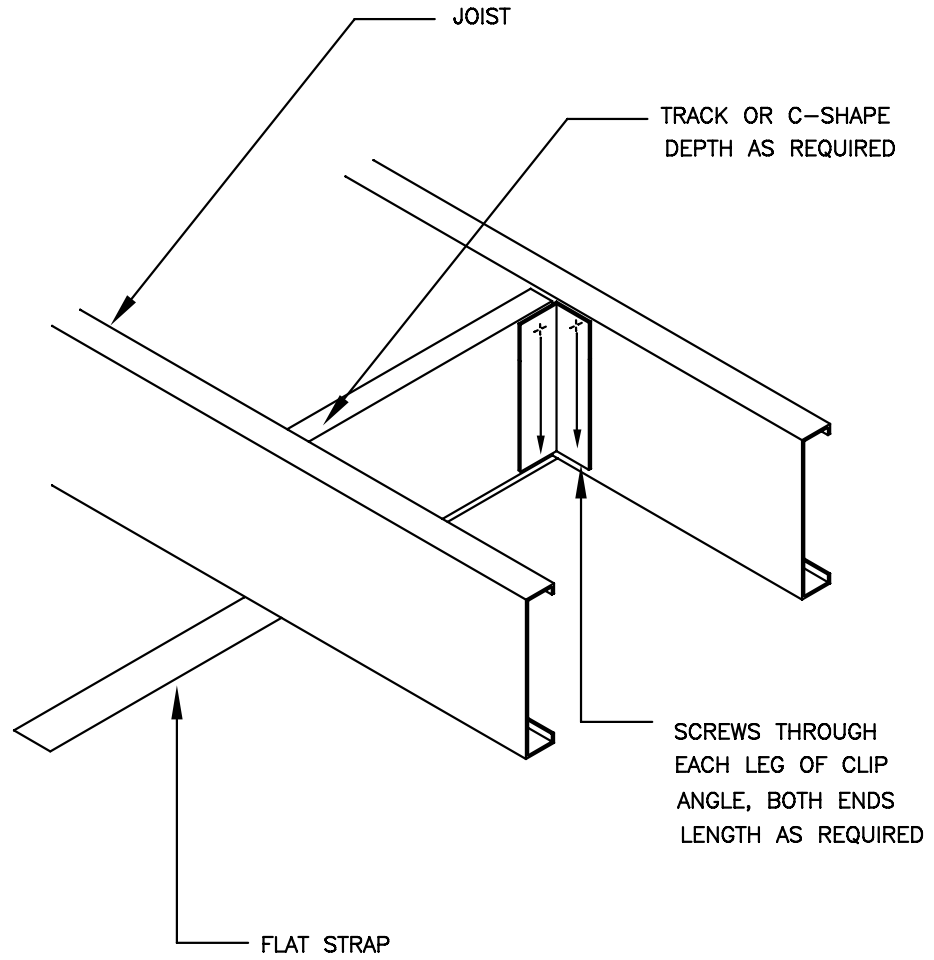
Detail F26
Floor Blocking Detail 1



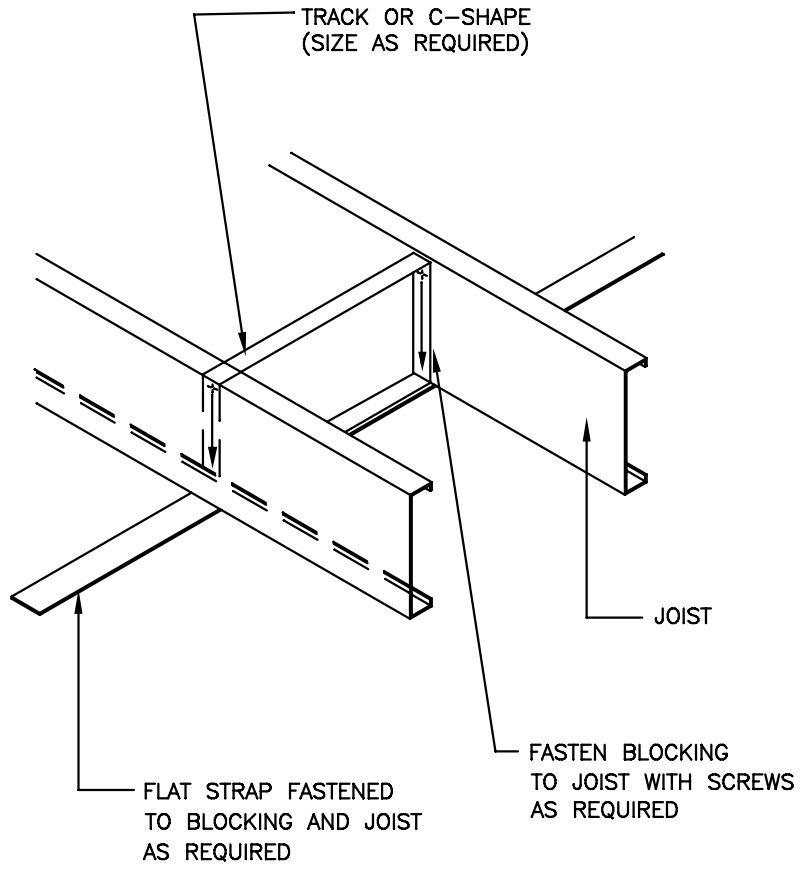
Detail F27
Floor Blocking Detail 2



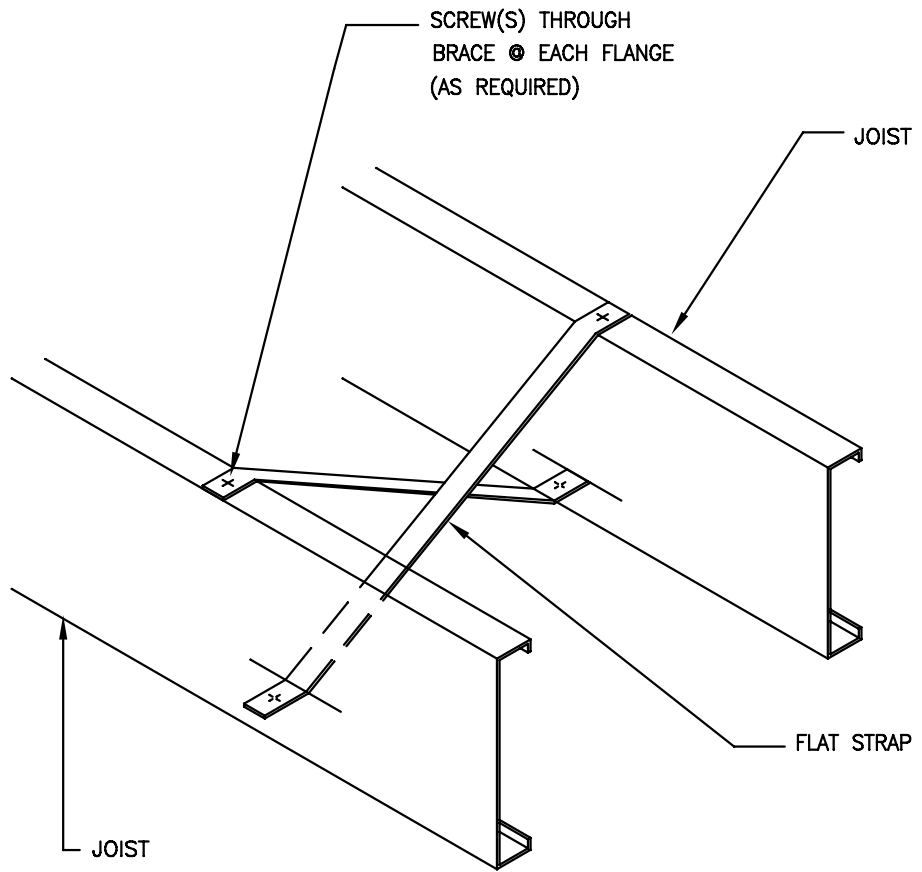
Detail F28
Floor Blocking Detail 3



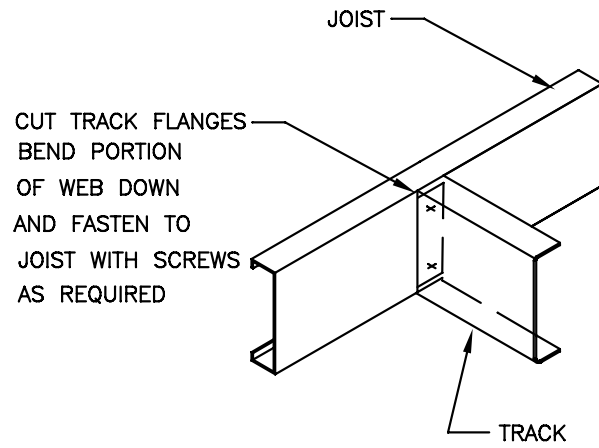
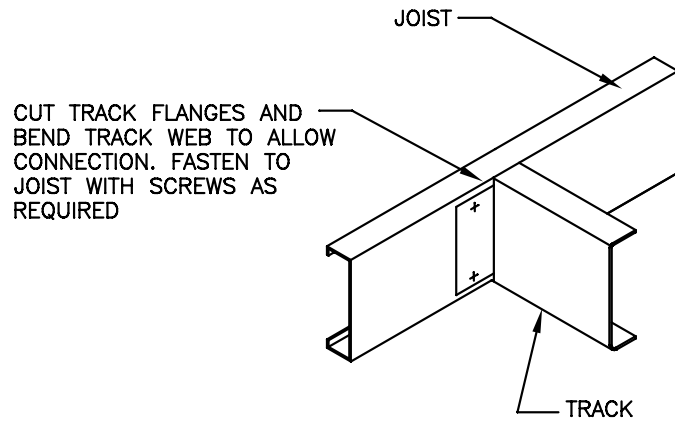
Detail F29
Floor Blocking Detail 4



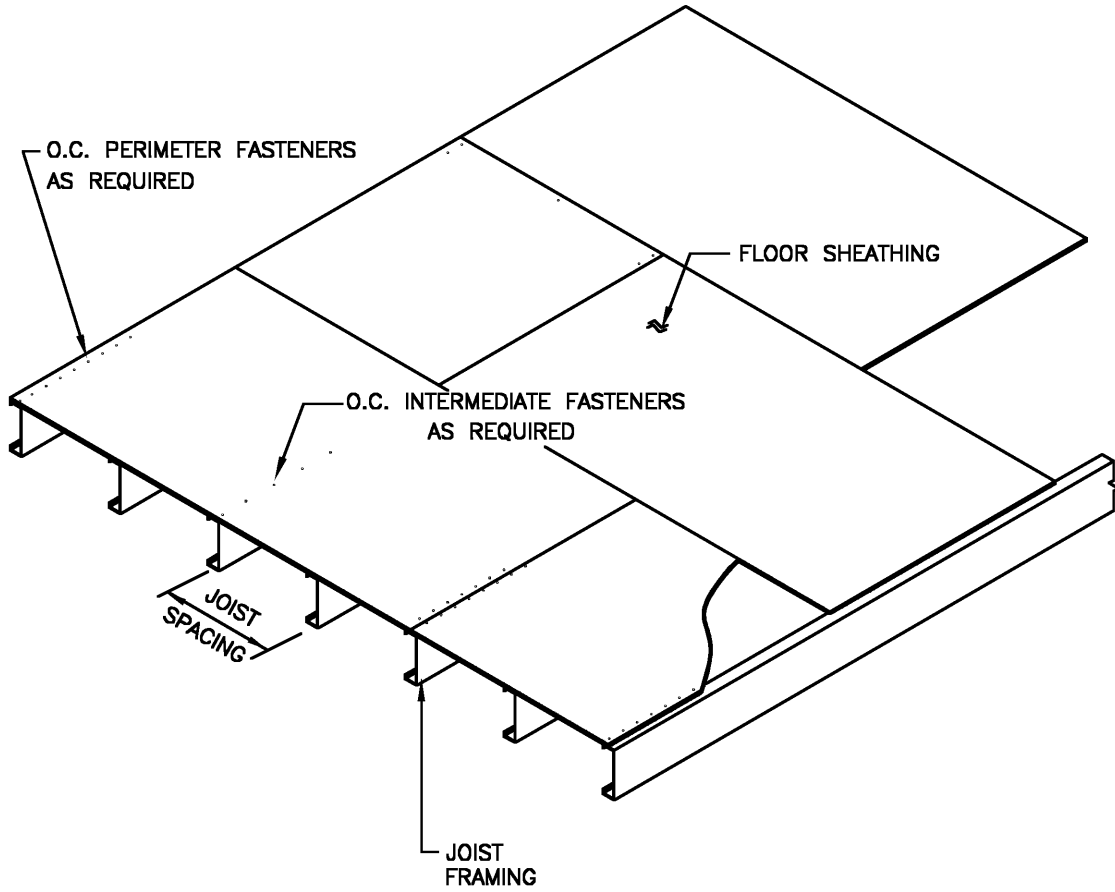
Detail F30
X-Bracing Detail



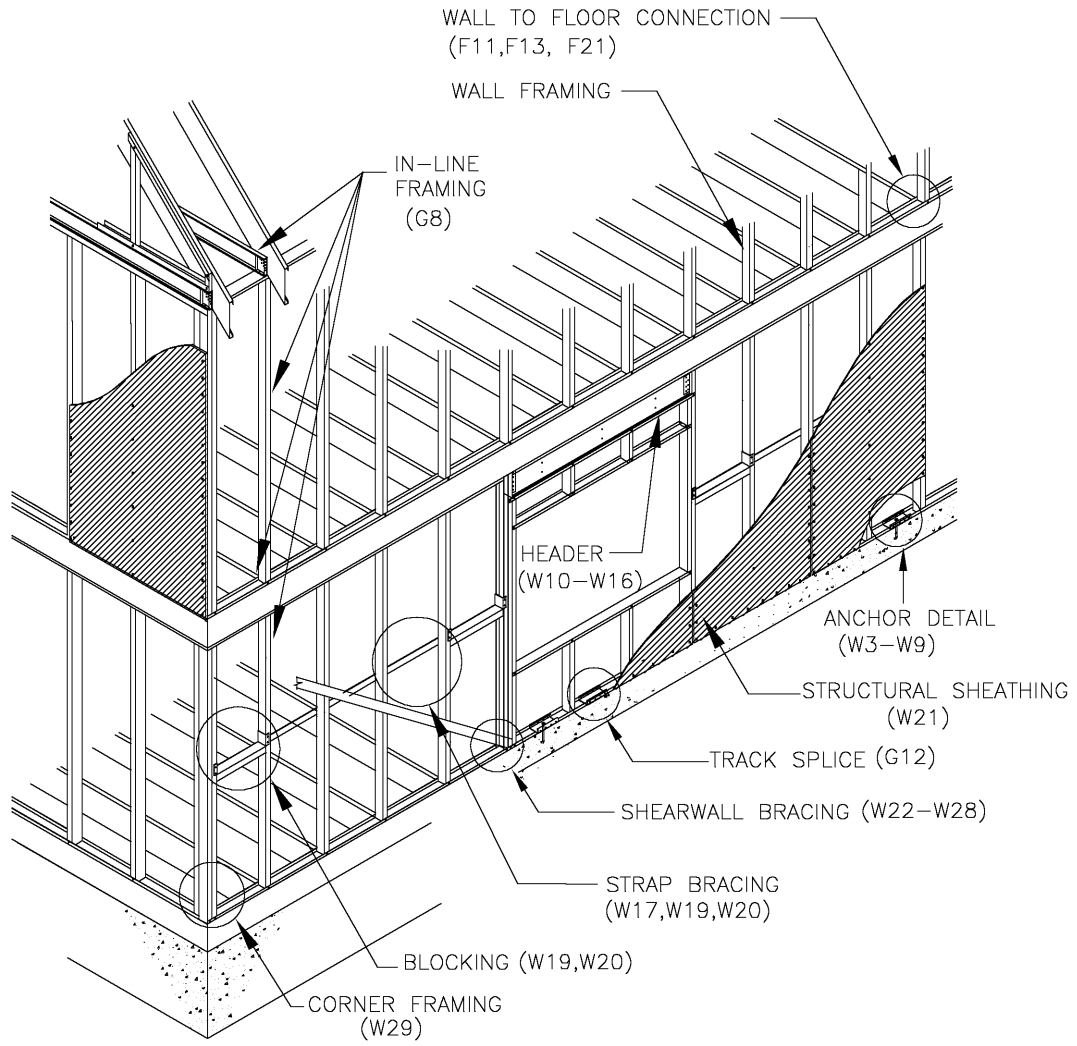
Detail F31 Blocking Connection Detail



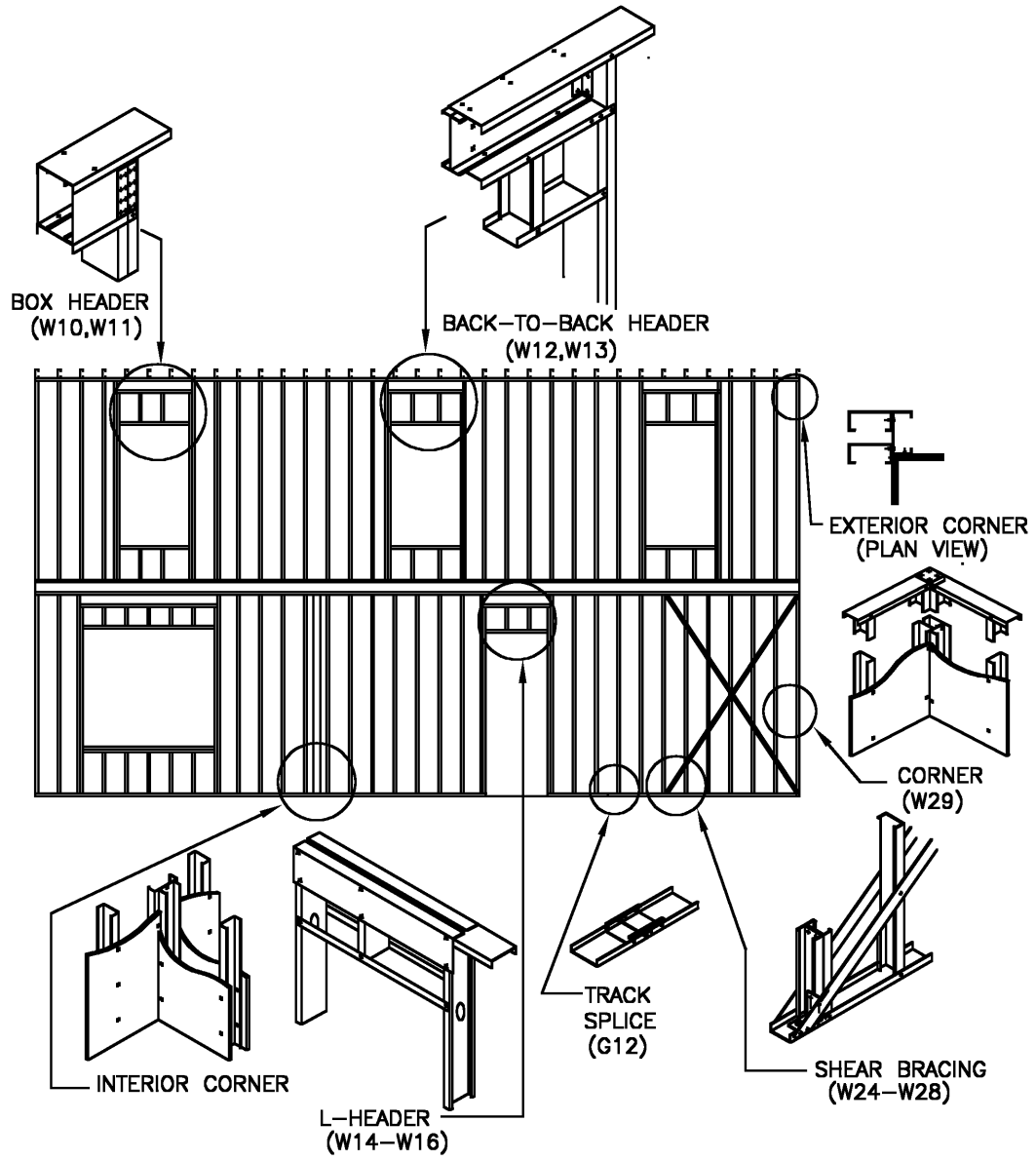
Detail F32
Floor Sheathing Connection Detail



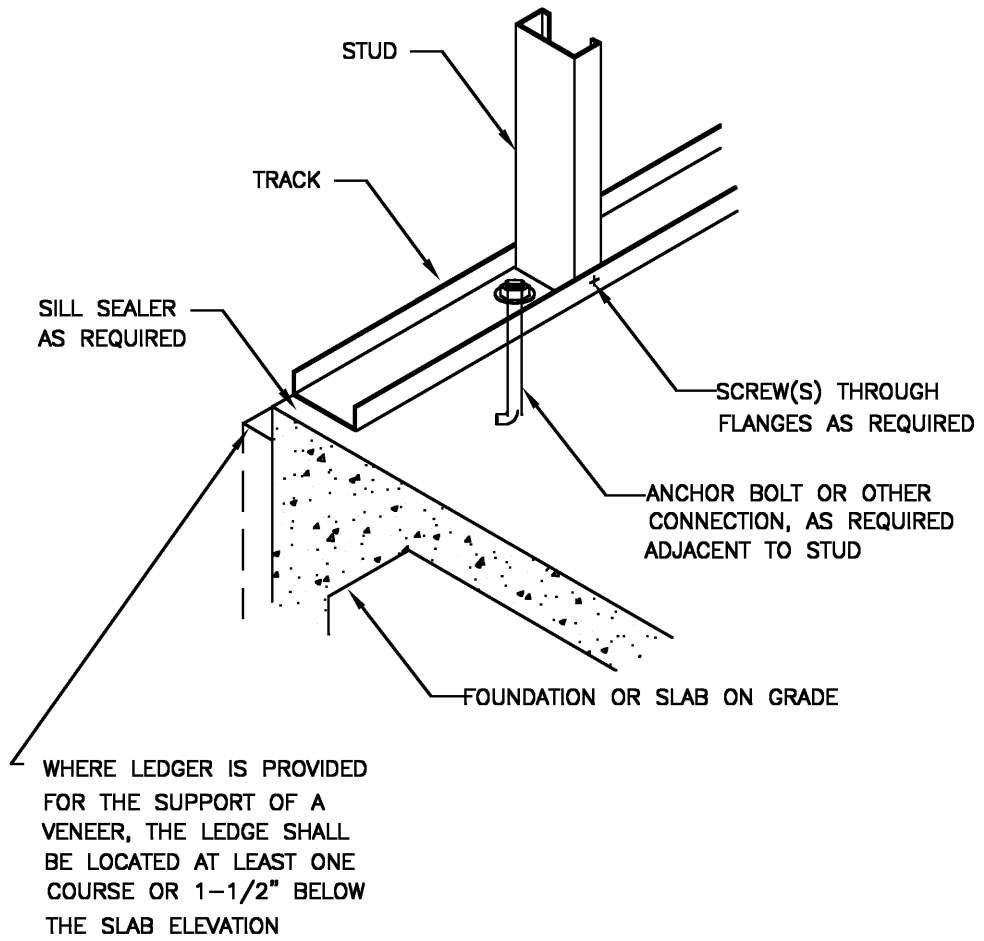
Detail W1 Wall Framing



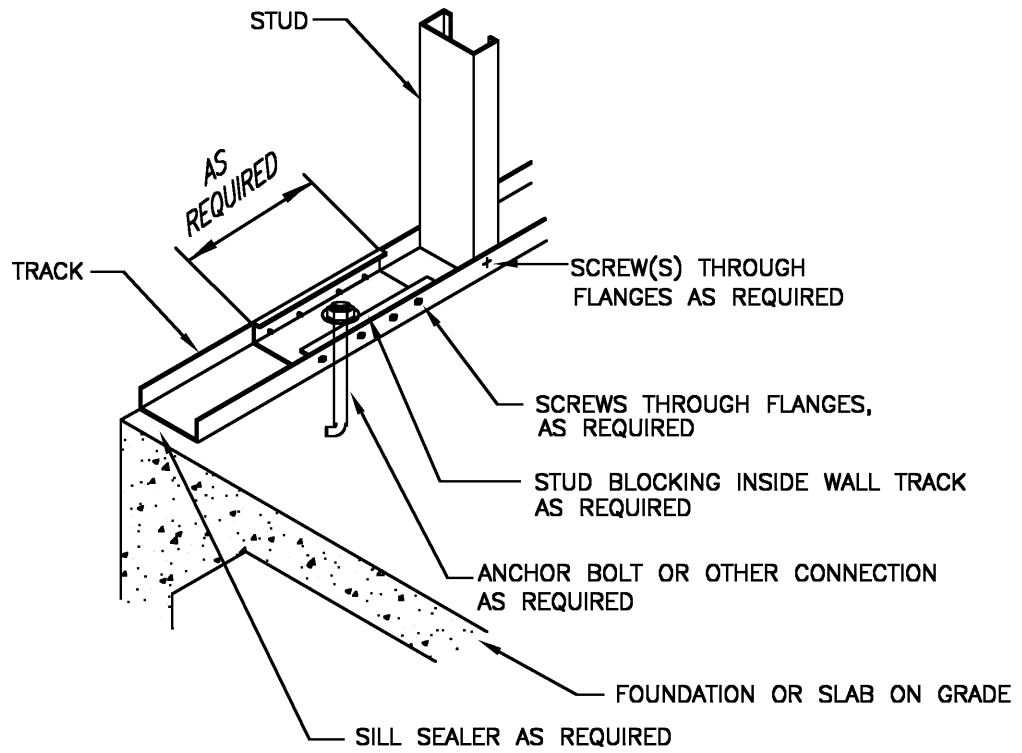
Detail W2 Wall Framing Elevation



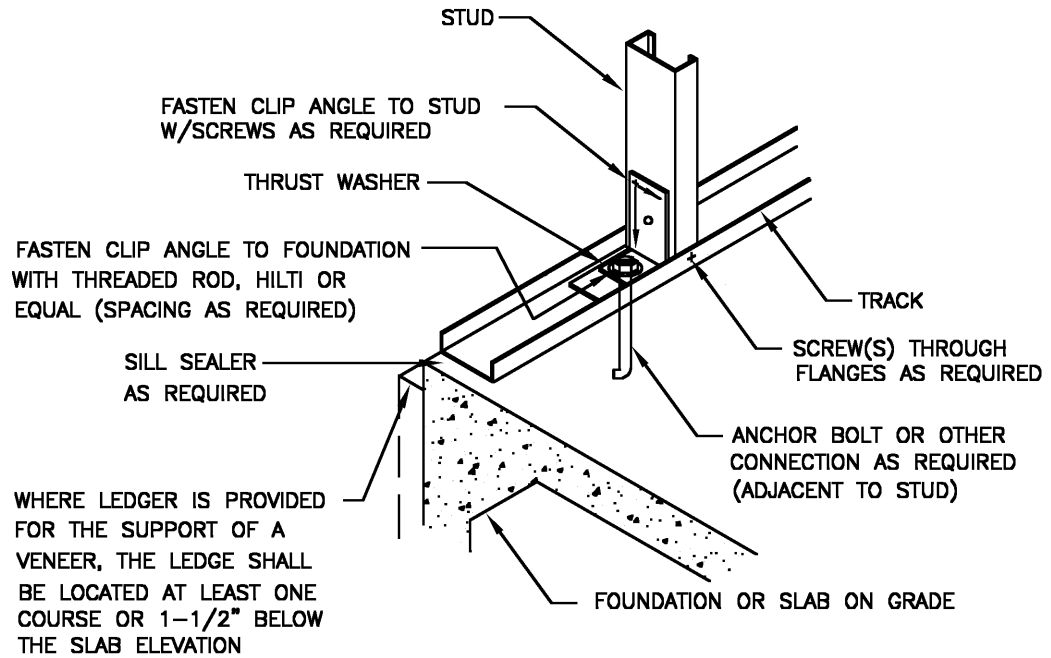
**Detail W3
Wall to Foundation/Slab on Grade Connection 1**



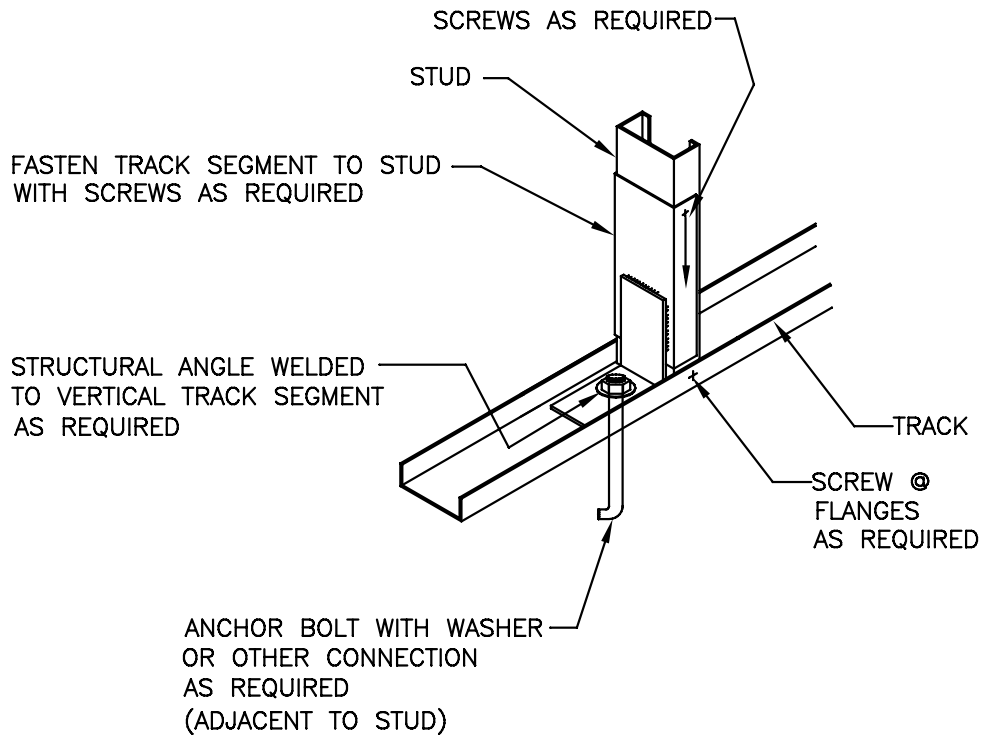
Detail W4
Wall to Foundation/Slab on Grade Connection 2



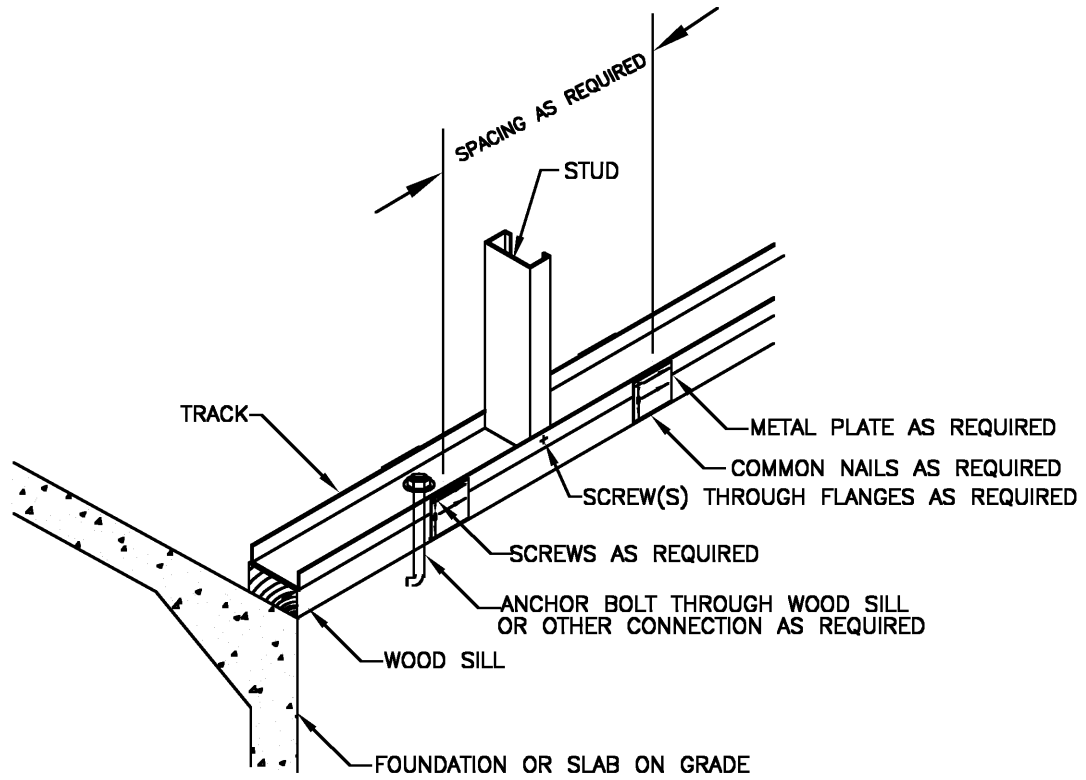
Detail W5 Wall to Foundation/Slab on Grade Connection 3



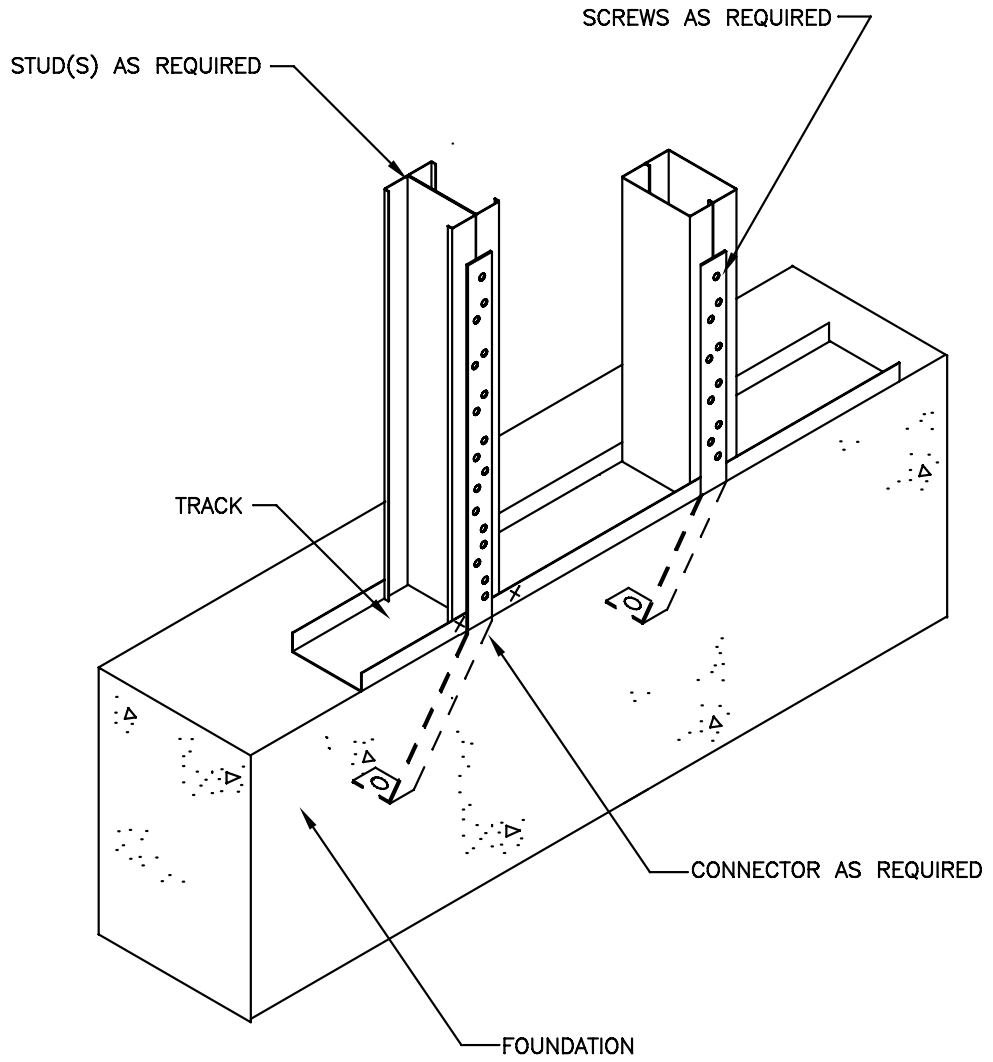
Detail W6
Wall to Foundation/Slab on Grade Connection 4



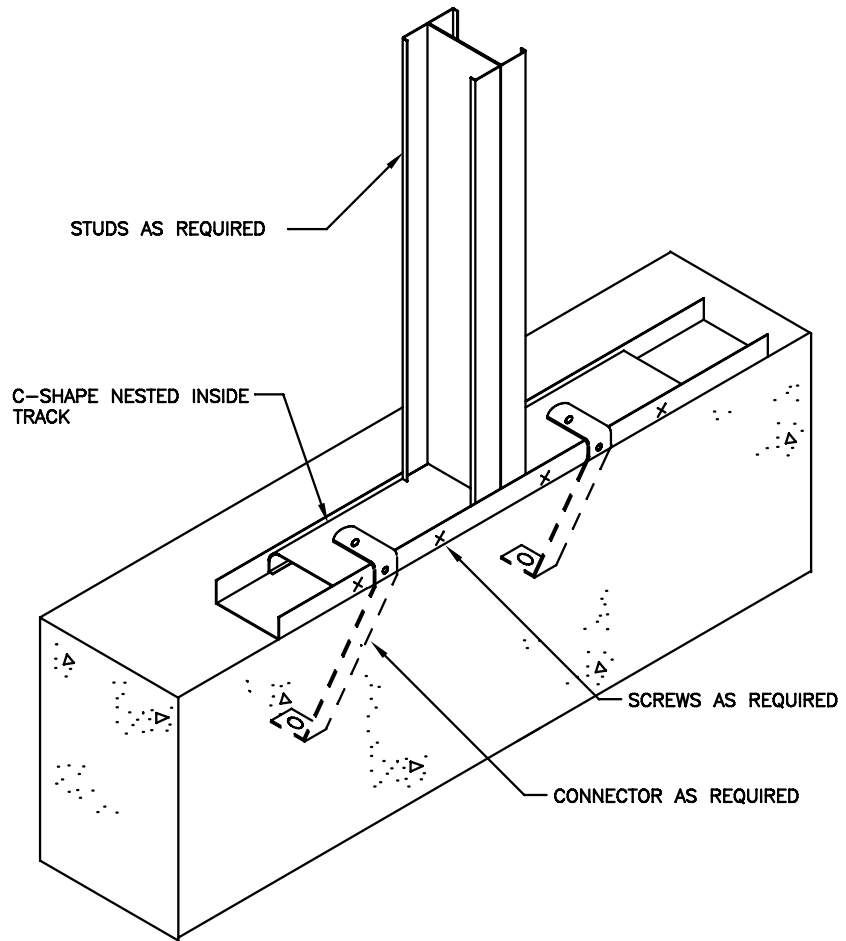
Detail W7 Wall to Wood Sill Connection



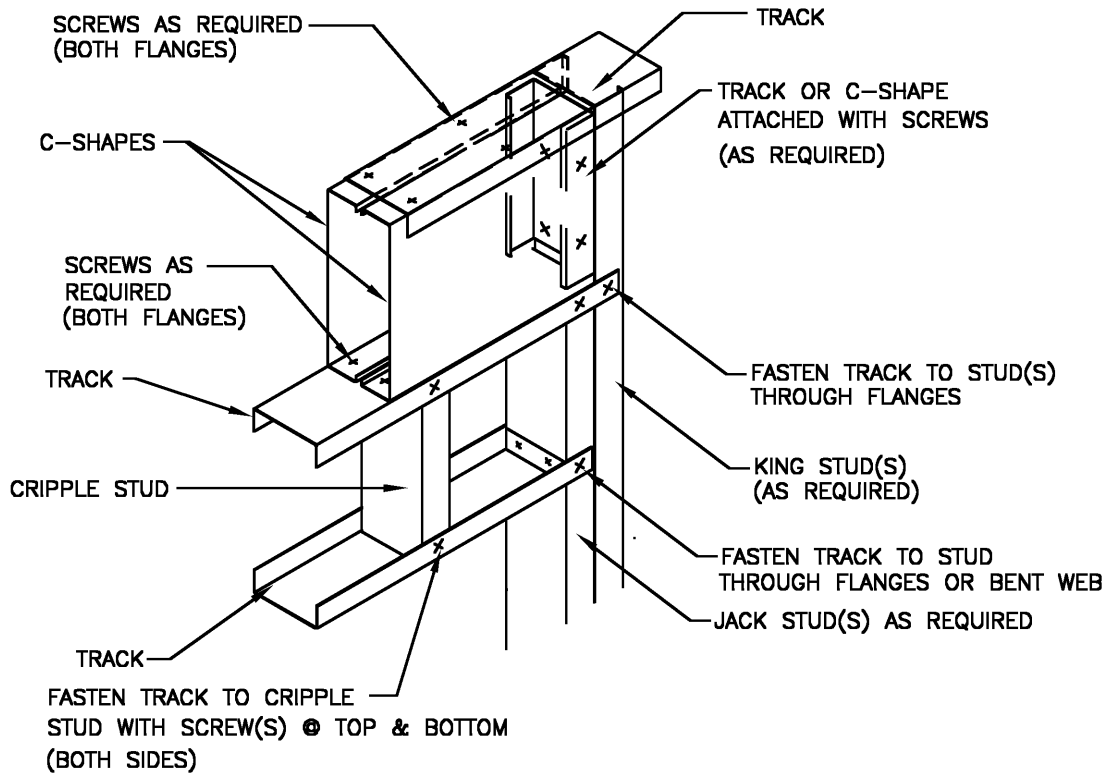
Detail W8
Hold-Down Connection Detail 1



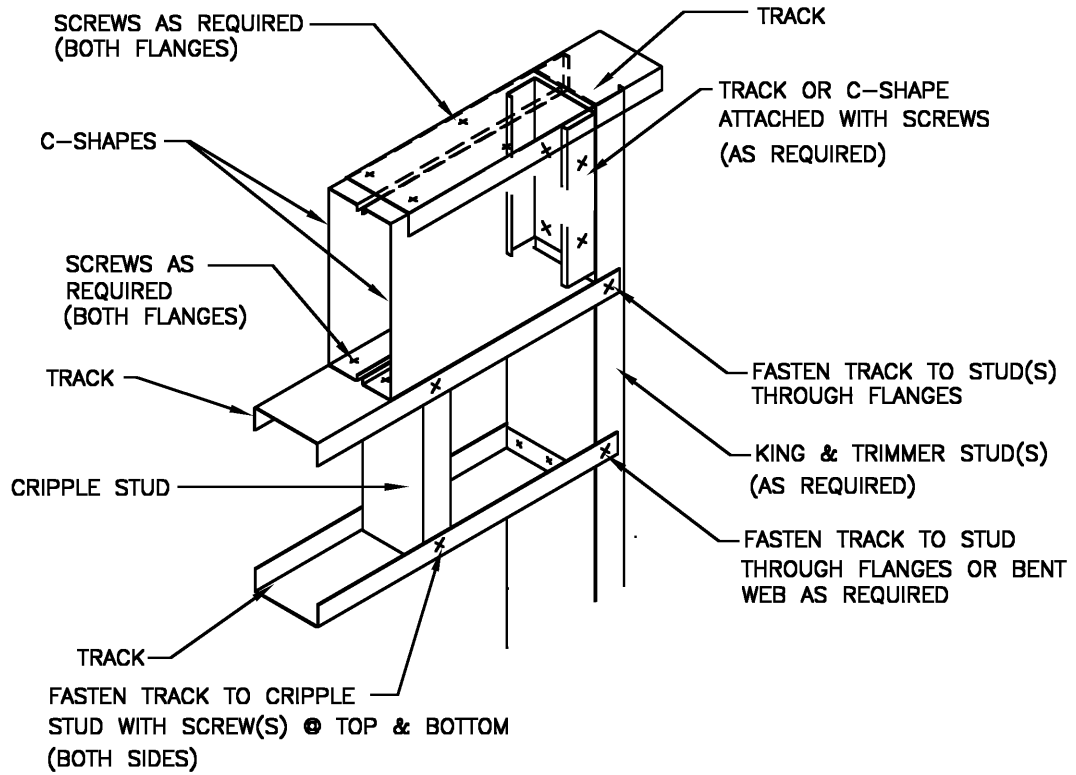
Detail W9
Hold-Down Connection Detail 2



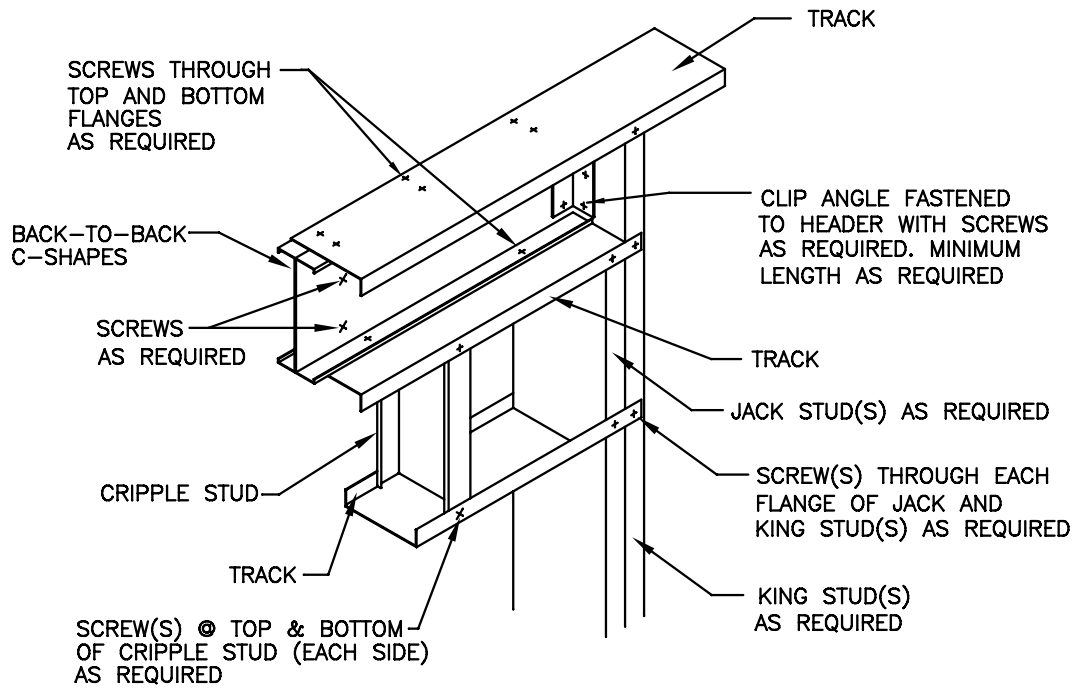
**Detail W10
Box Beam Header with Jack Stud**



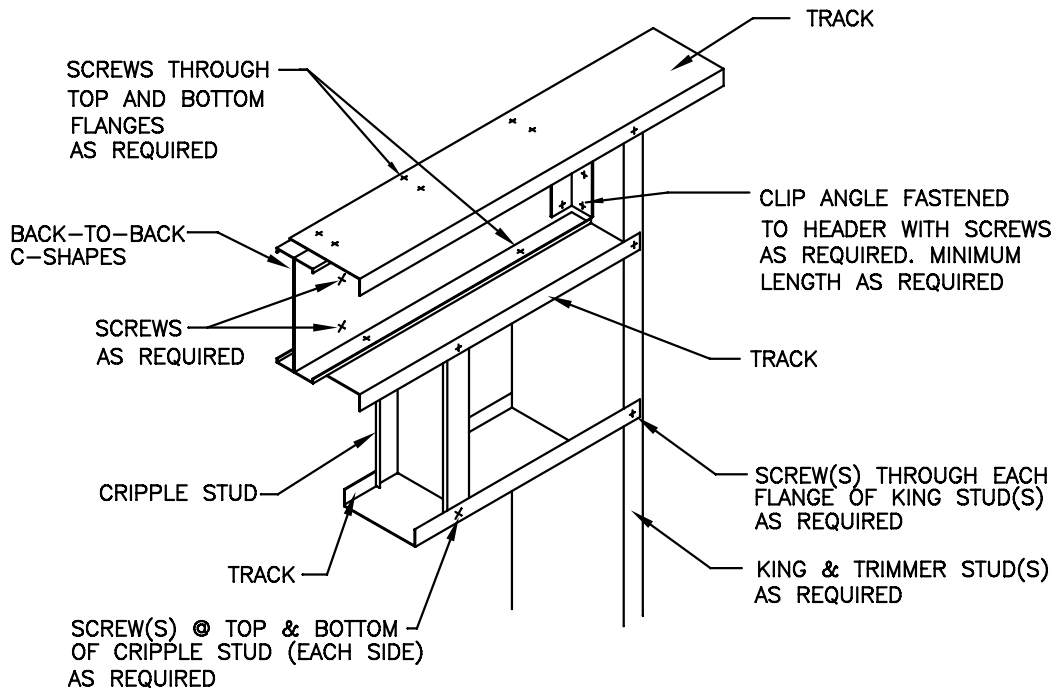
Detail W11 Box Beam Header



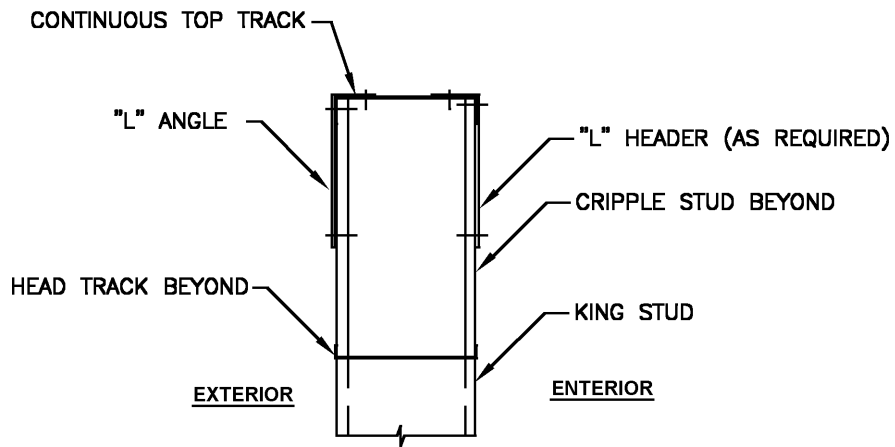
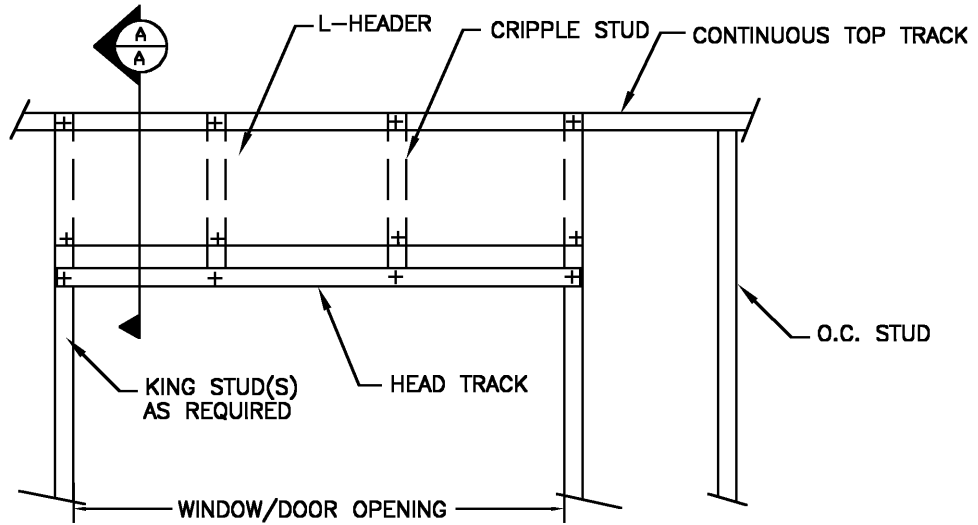
Detail W12
Back-to-Back Header with Jack Stud



Detail W13 Back-to-Back Header

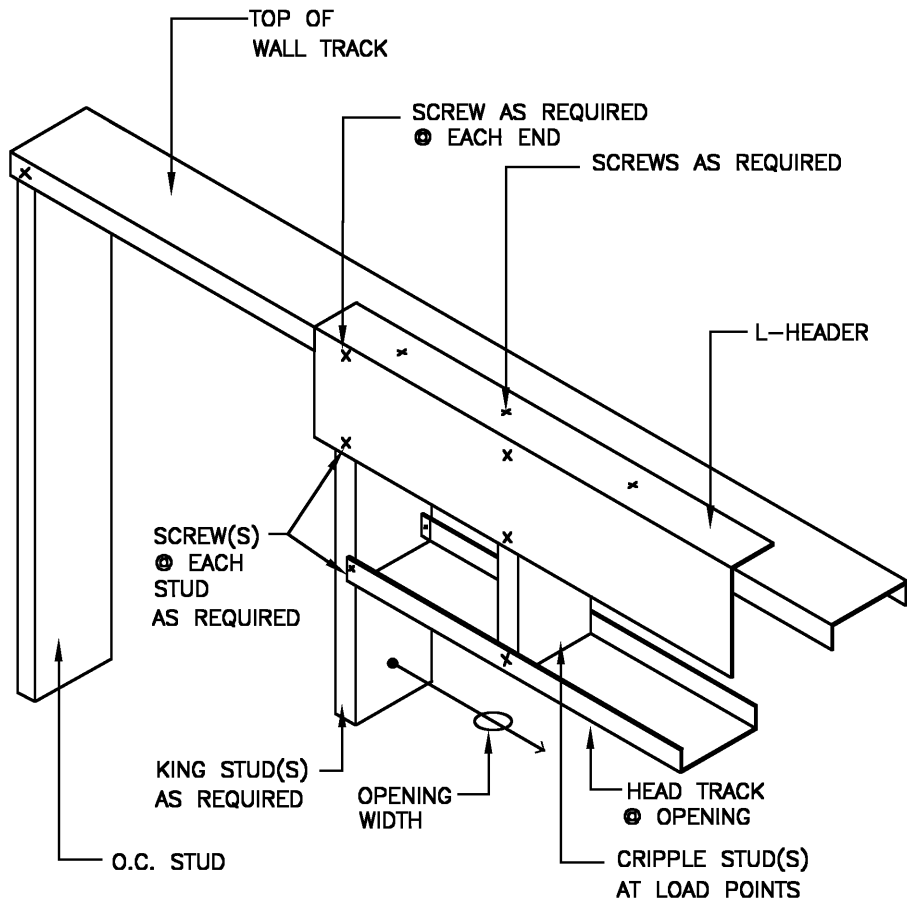


**Detail W14
L-Header Detail**

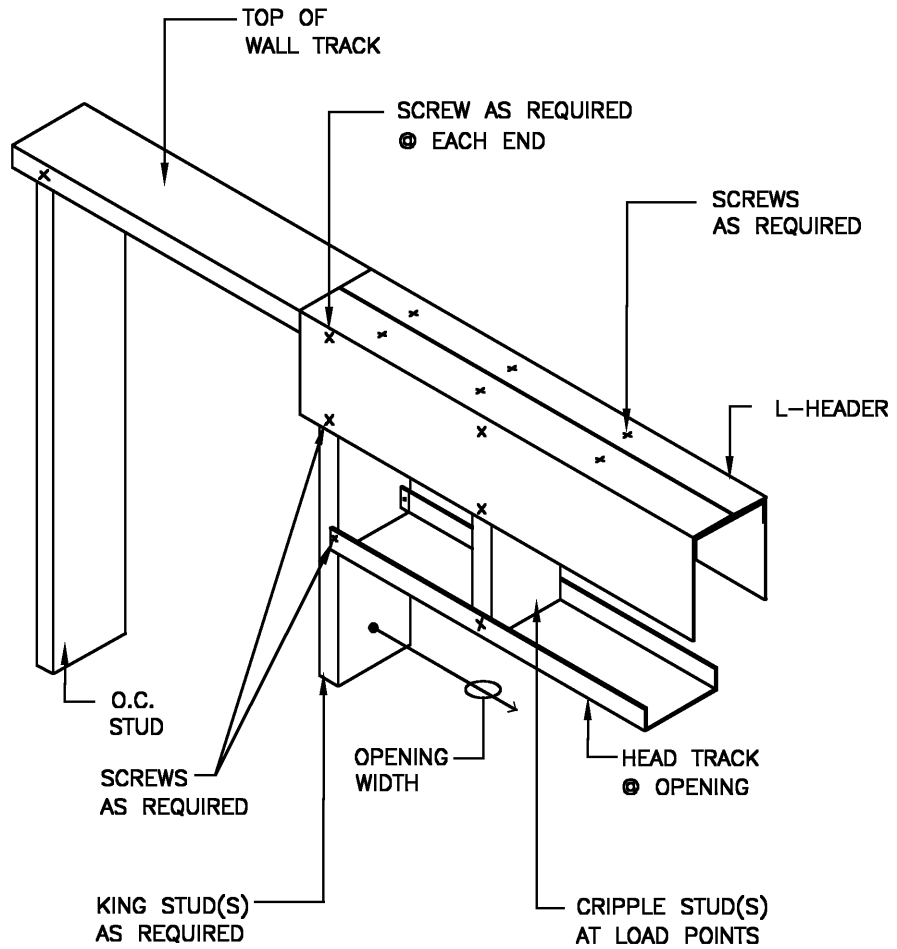


SECTION A-A

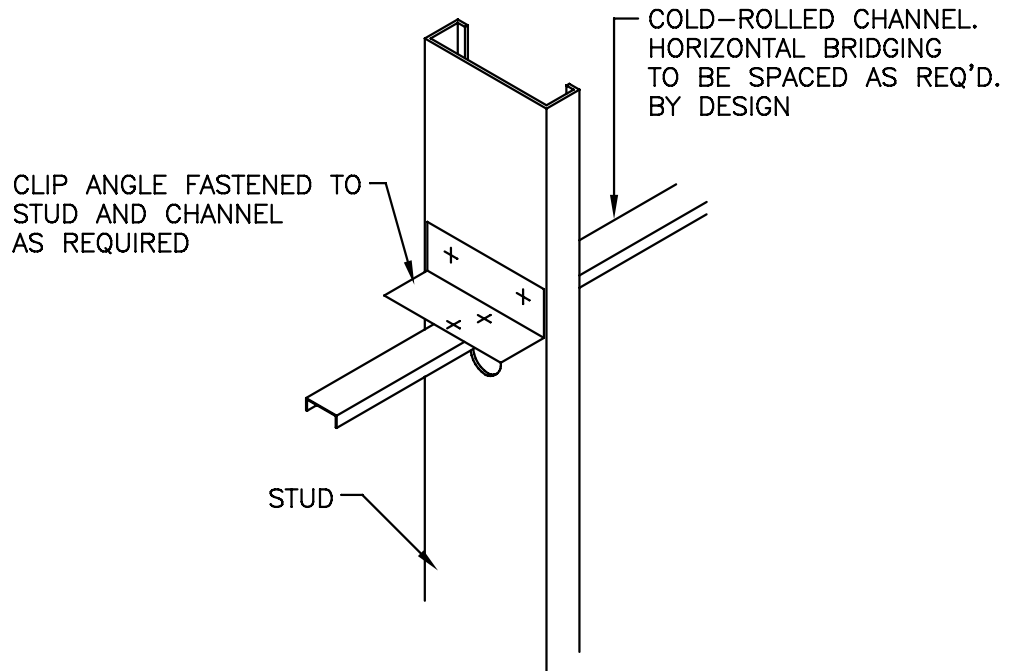
Detail W15 Single L-Header Detail



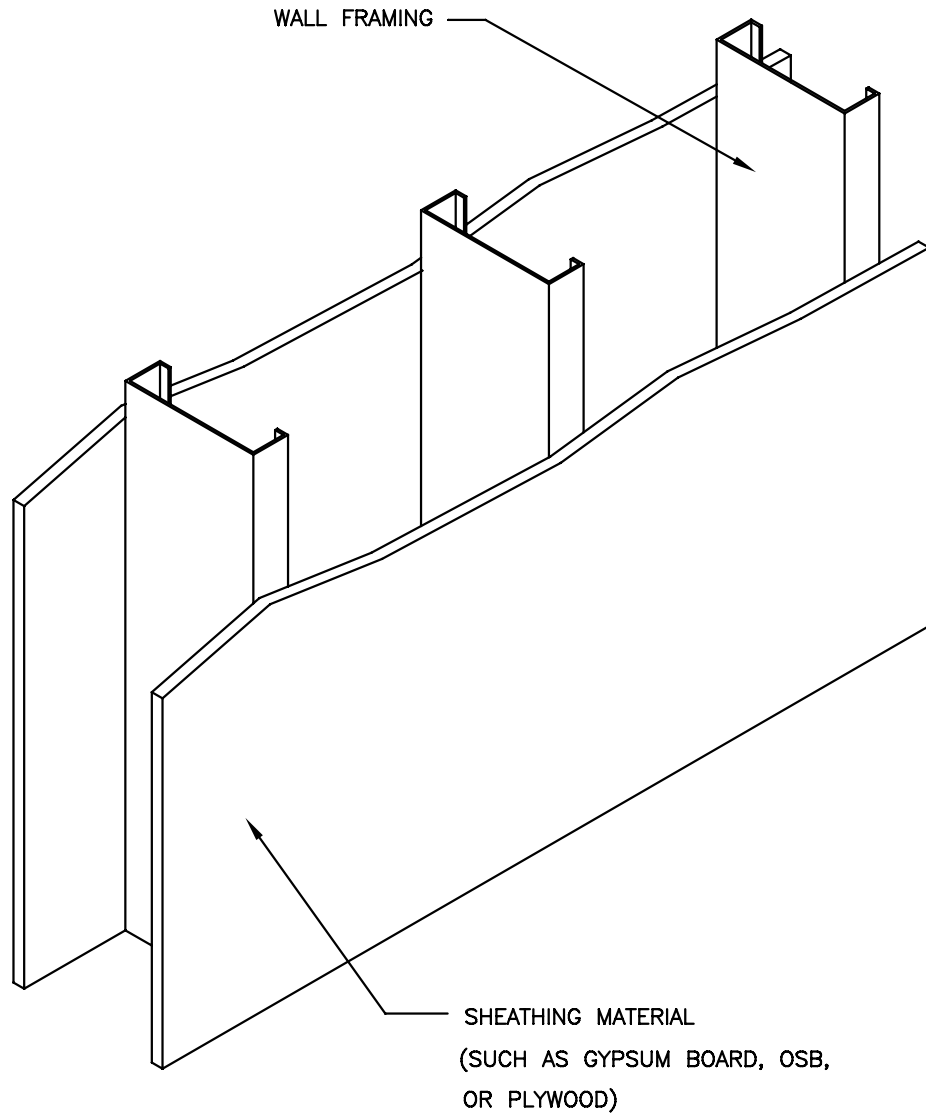
Detail W16
Double L-Header Detail



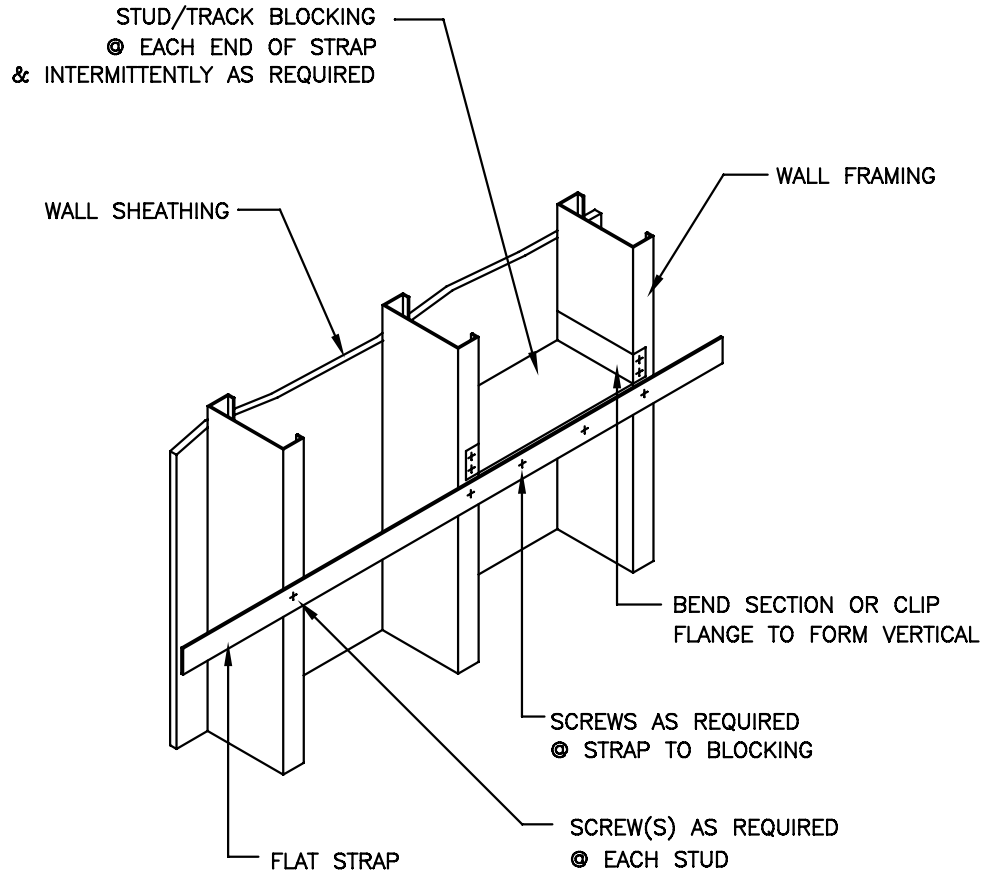
Detail W17
Stud Bracing with Cold-Rolled Channel



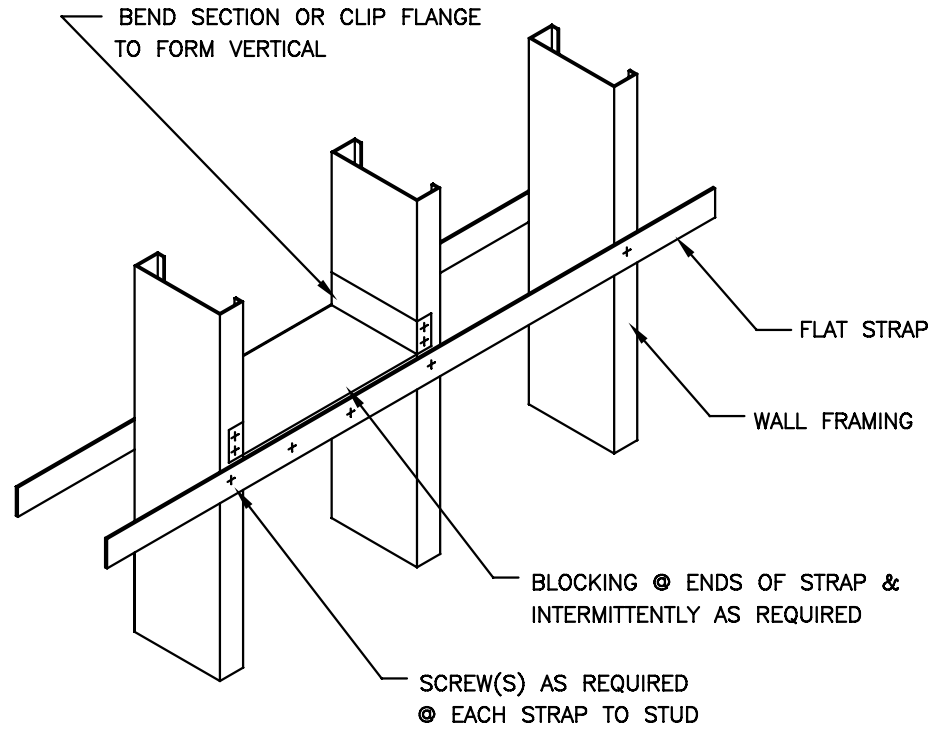
Detail W18
Stud Bracing with Sheathing



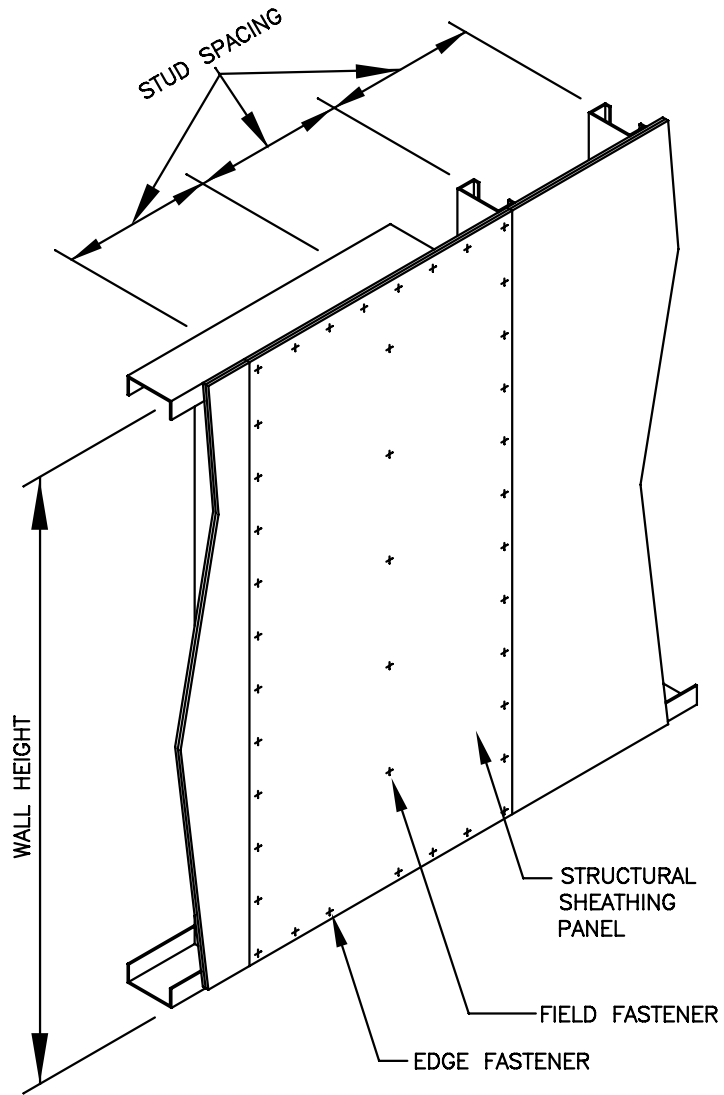
Detail W19 Stud Bracing with Strapping and Sheathing



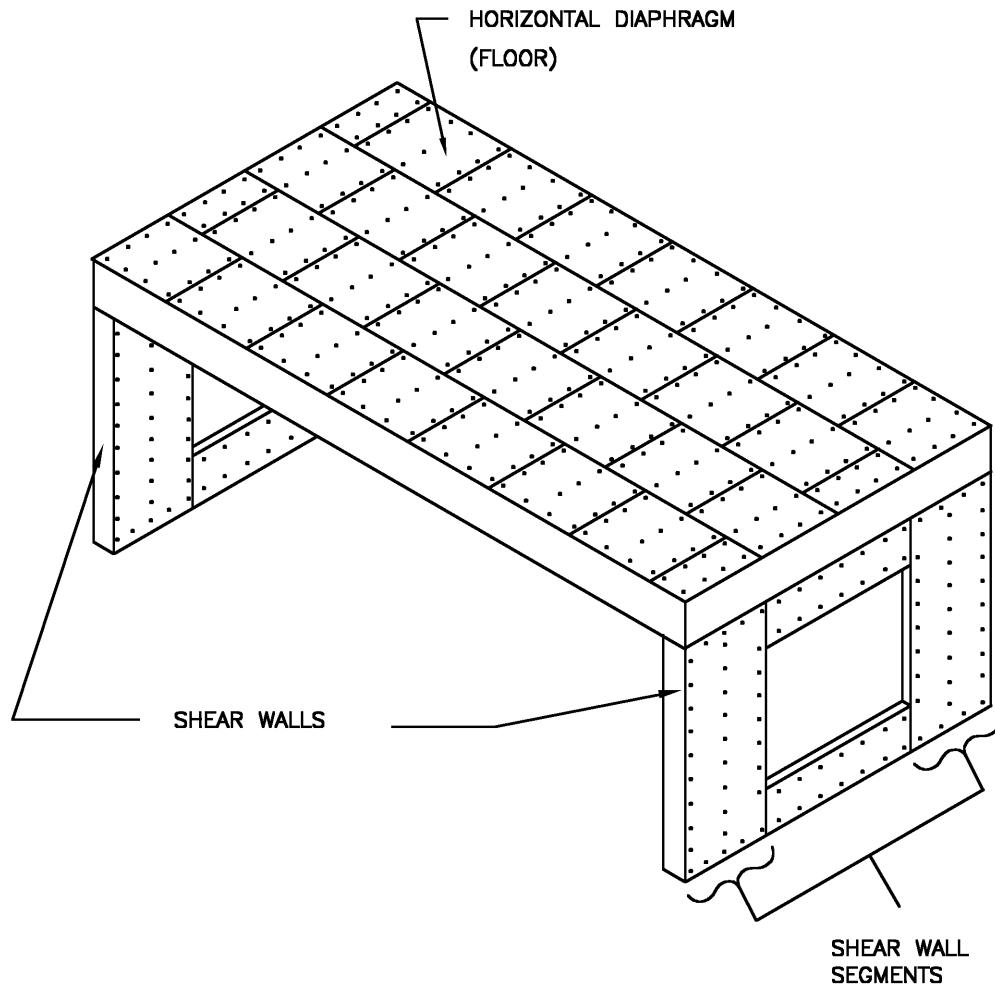
Detail W20
Stud Bracing with Strapping and Blocking



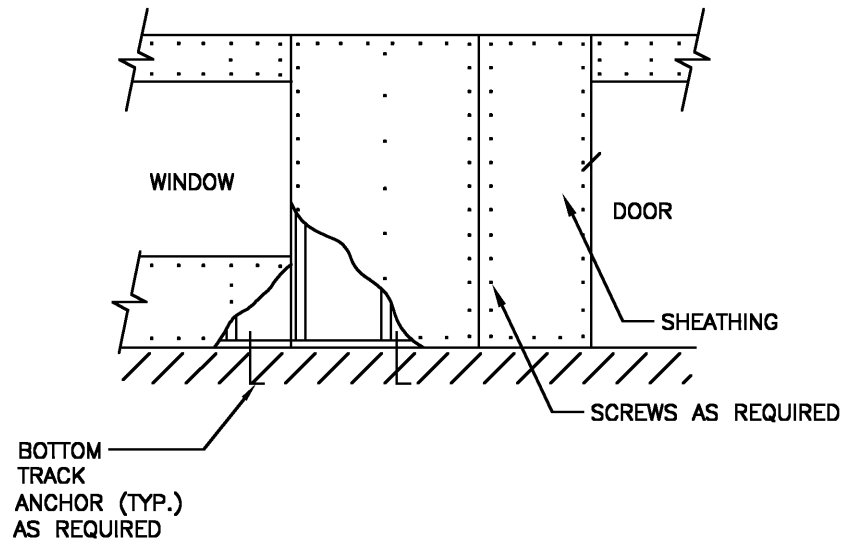
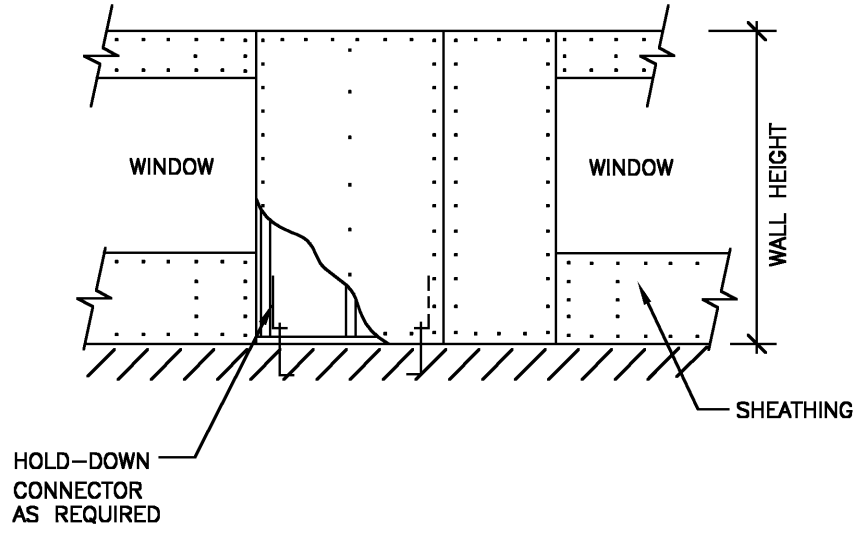
Detail W21
Structural Sheathing Fastening to Wall Studs



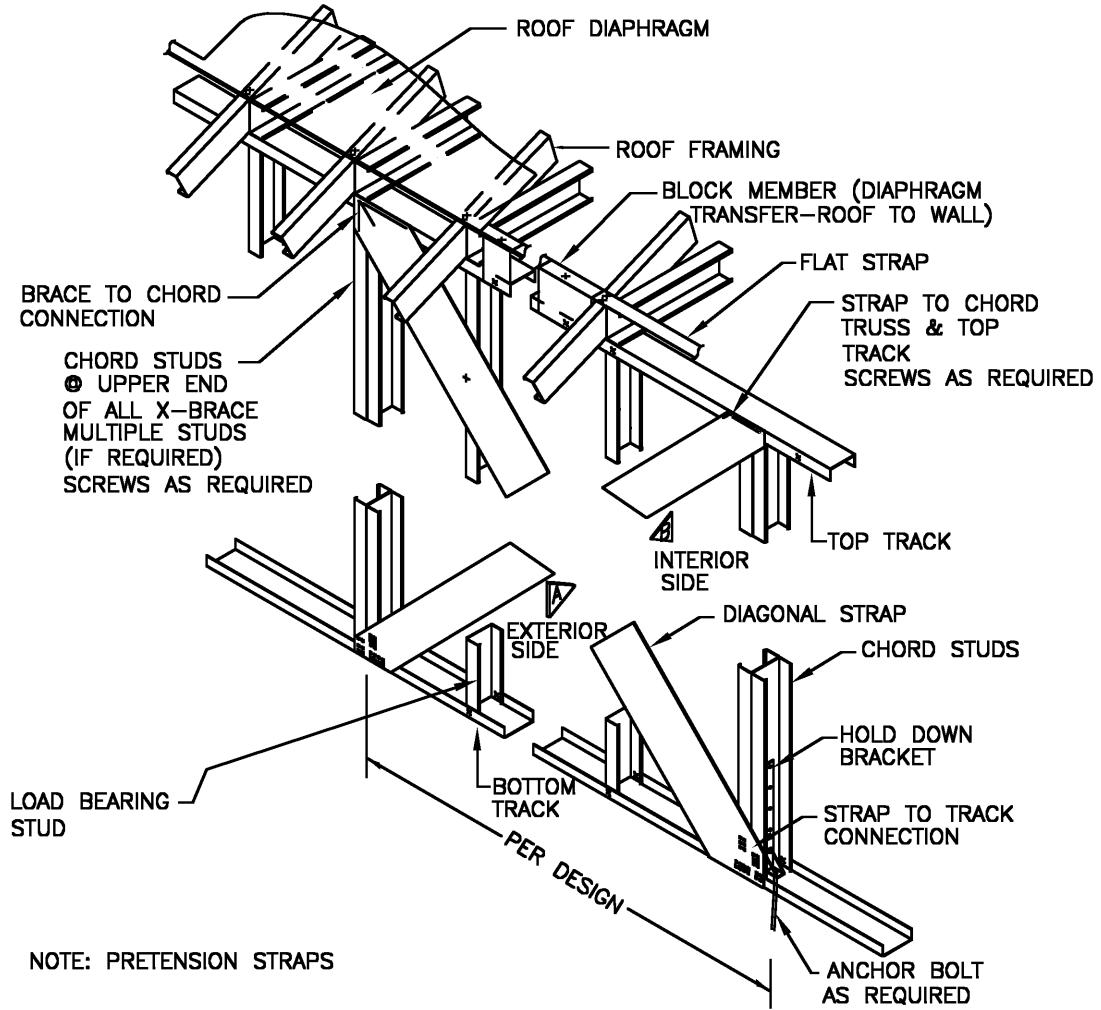
Detail W22
Shearwall and Diaphragm Details



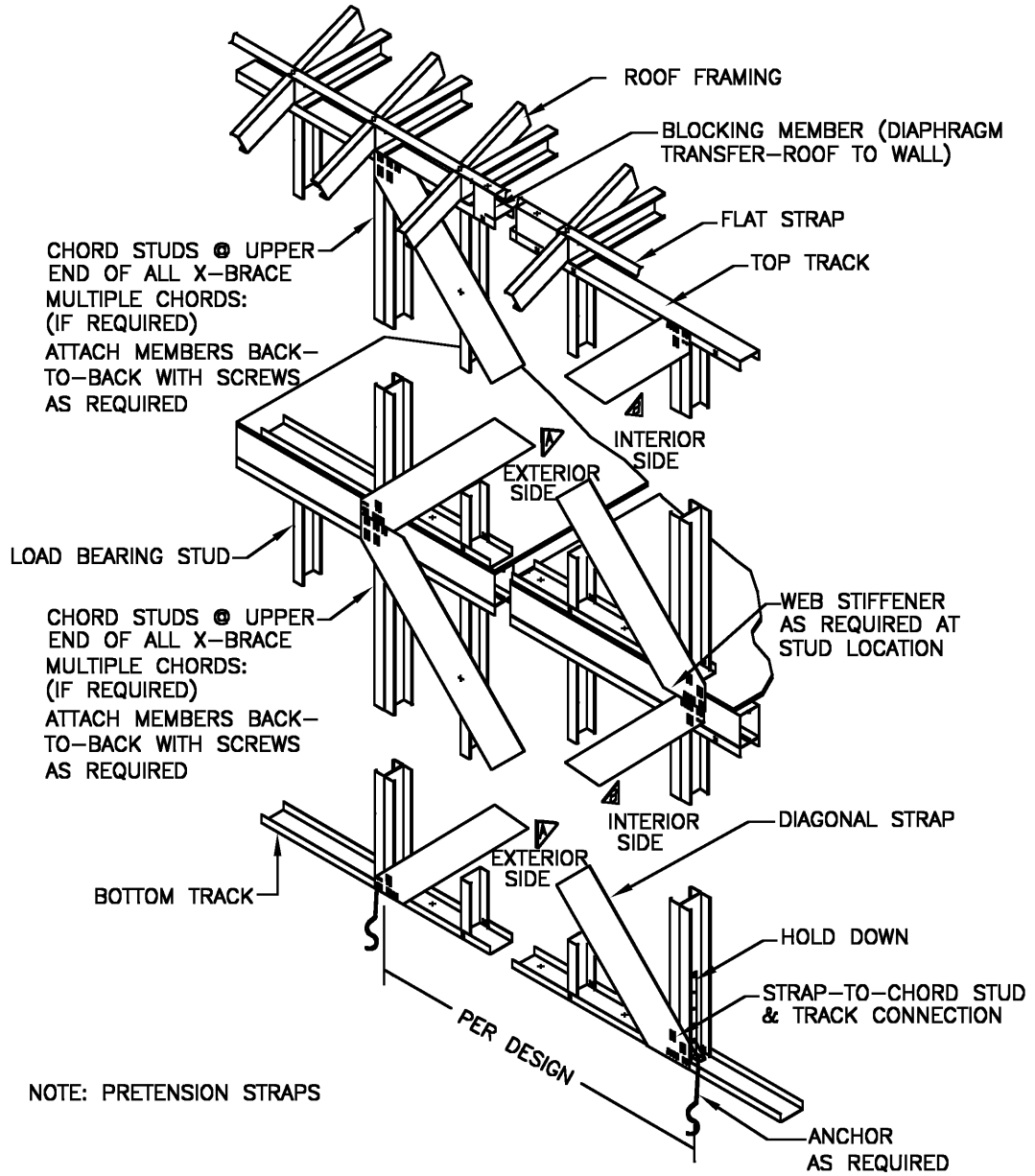
Detail W23
Sheathed Wall with Openings



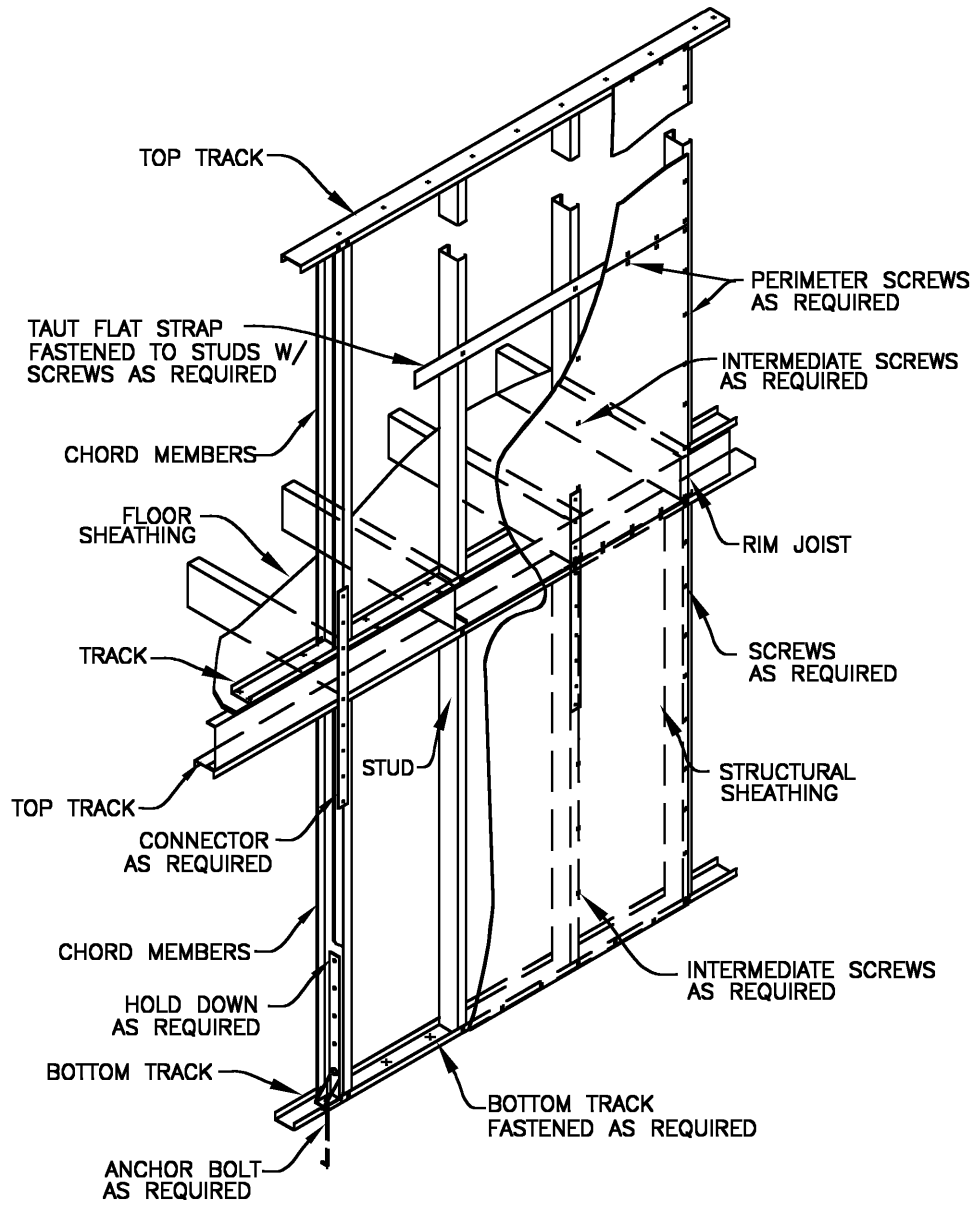
Detail W24
Single Story X-Brace Detail



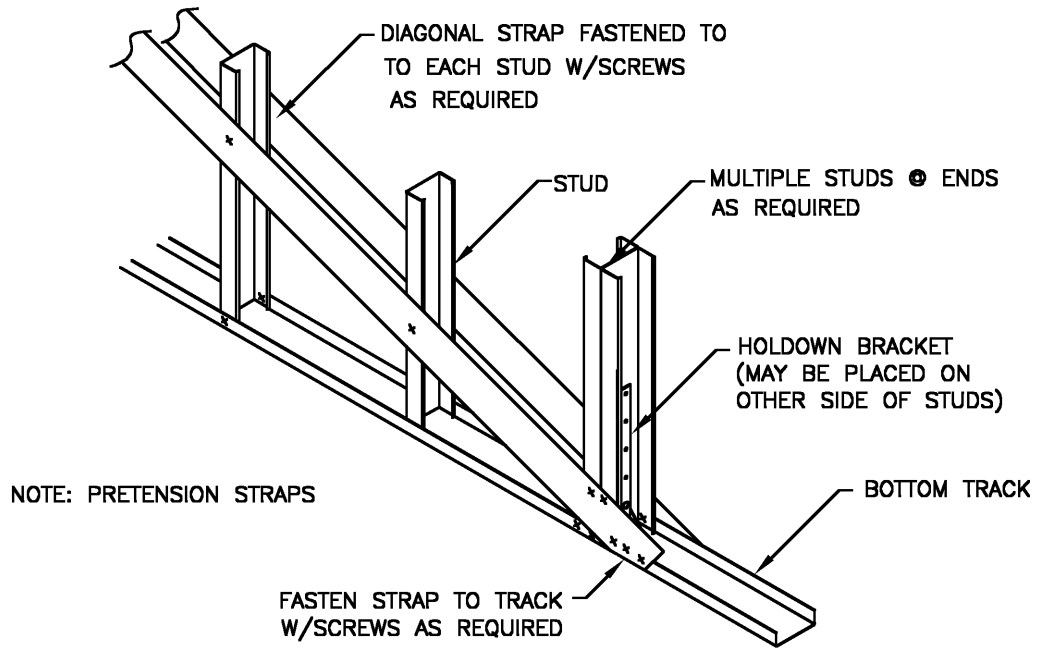
Detail W25
Two Story X-Brace Detail



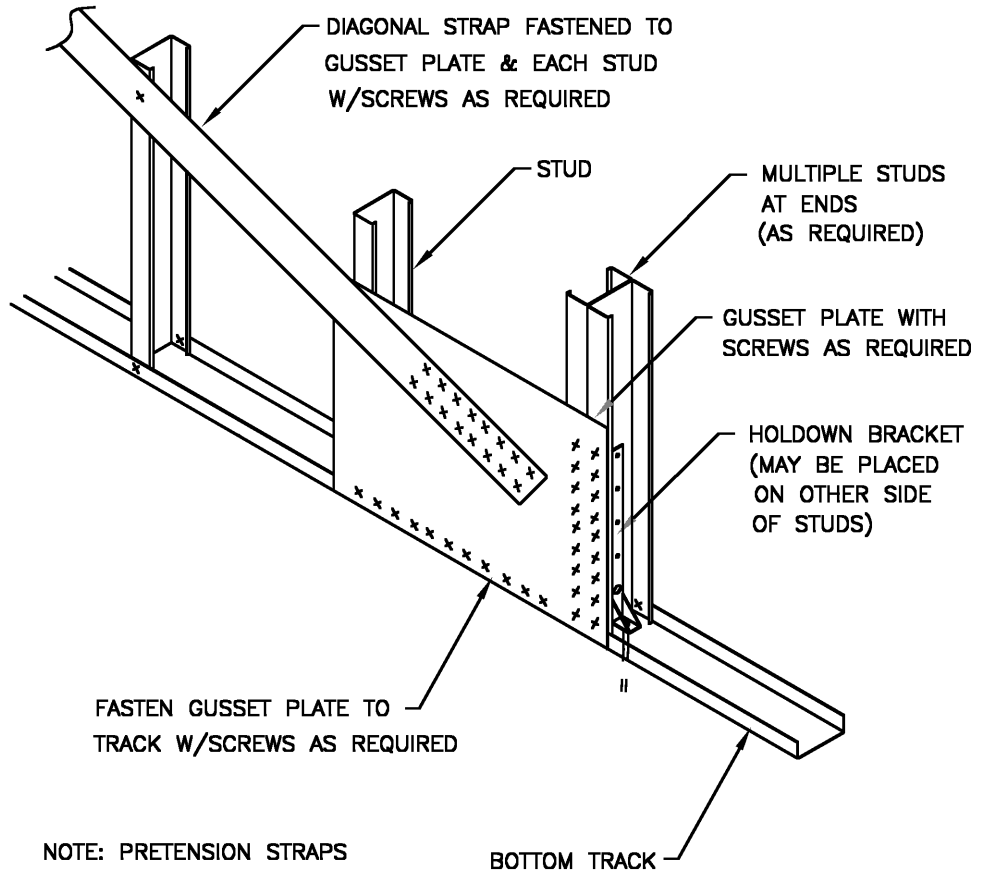
Detail W26 Two Story Sheathed Wall Detail



Detail W27 X-Brace Detail



**Detail W28
X-Brace with Gusset Detail**



**Detail W29
Corner Framing Detail**

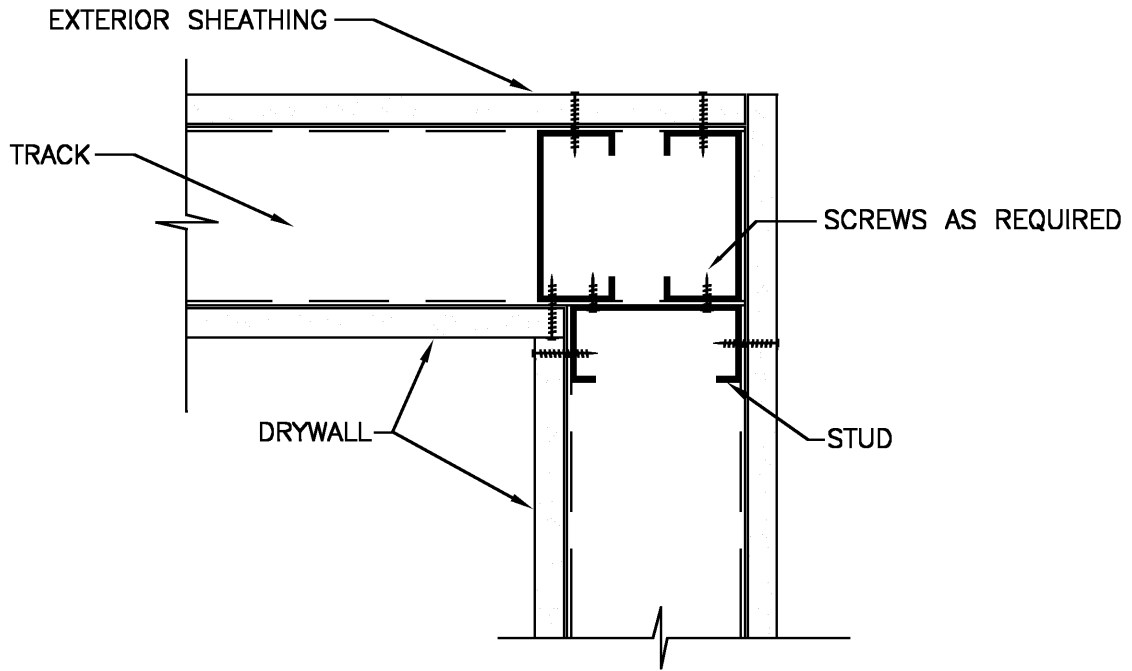


Figure NL1
Non-Load Bearing Wall Framing

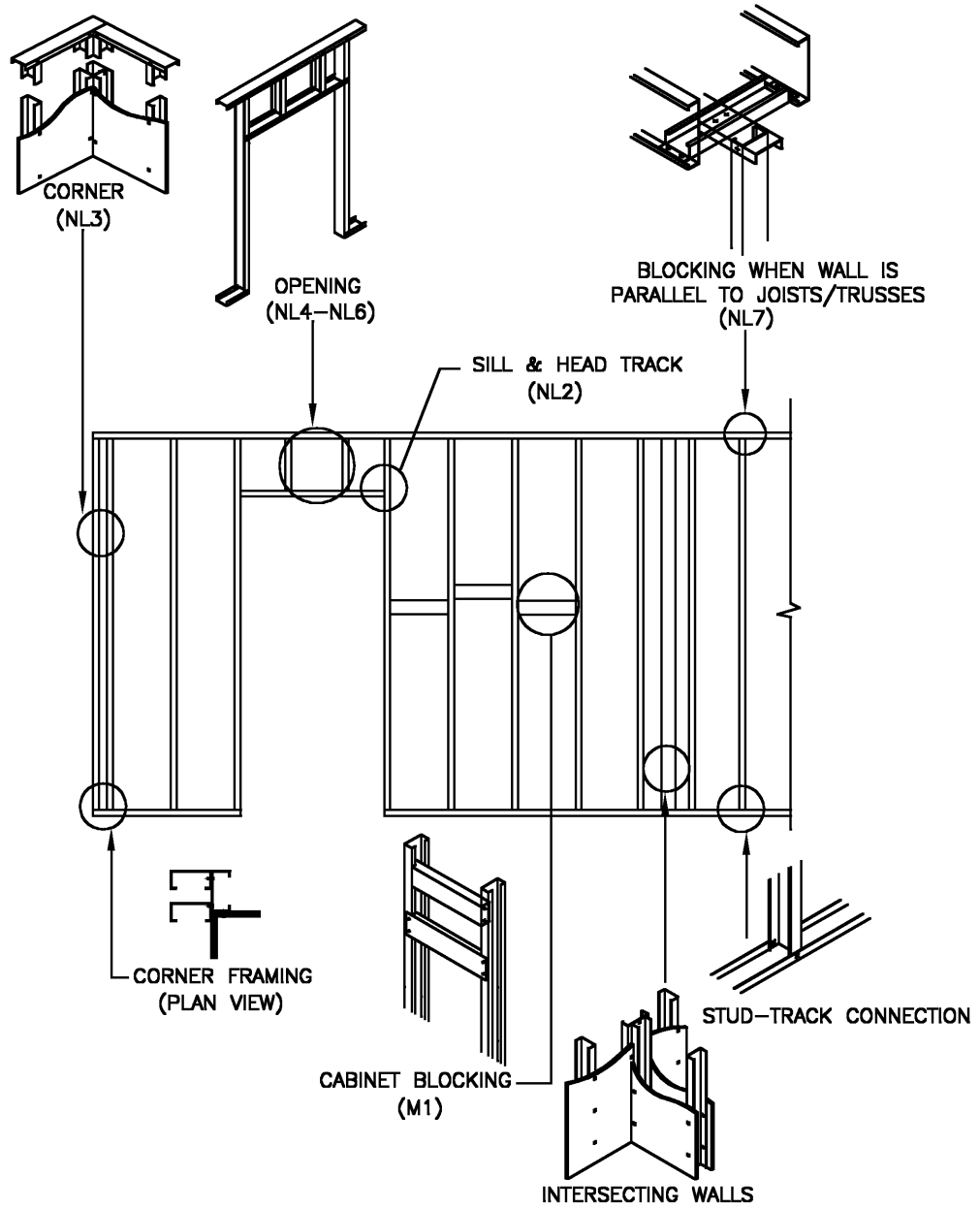


Figure NL2
Sill and Head Track Connection Detail

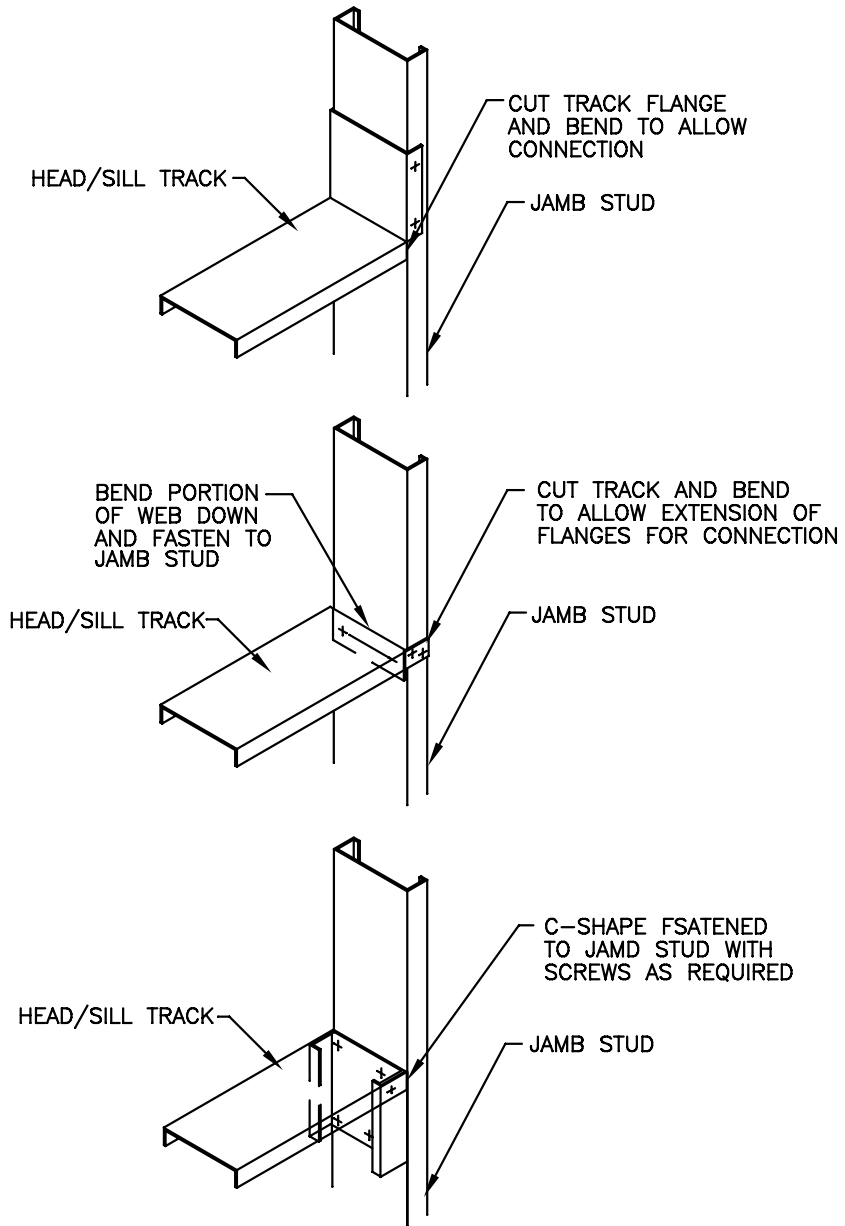


Figure NL3
Corner Framing Detail

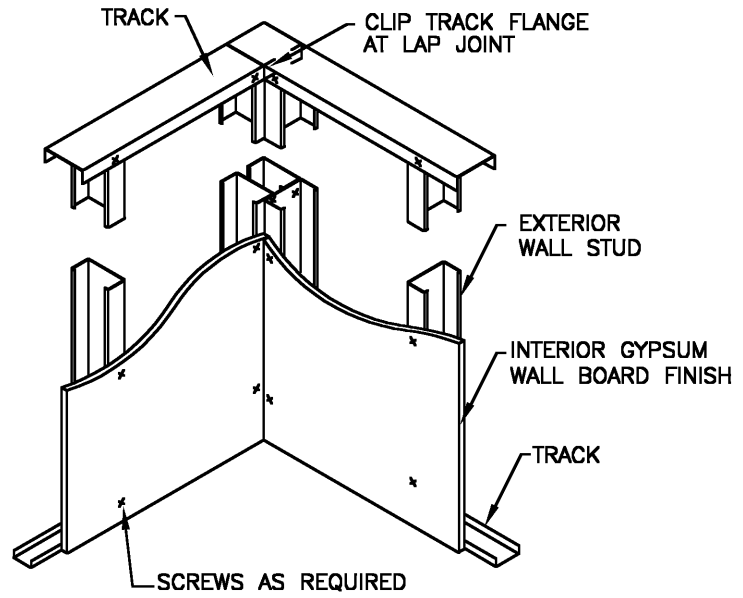


Figure NL4
Slammer Stud Detail

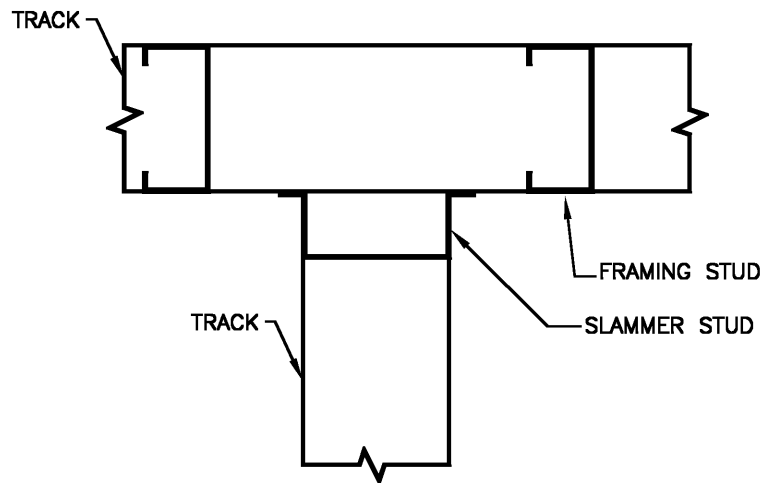


Figure NL5
Window Opening Framing Detail

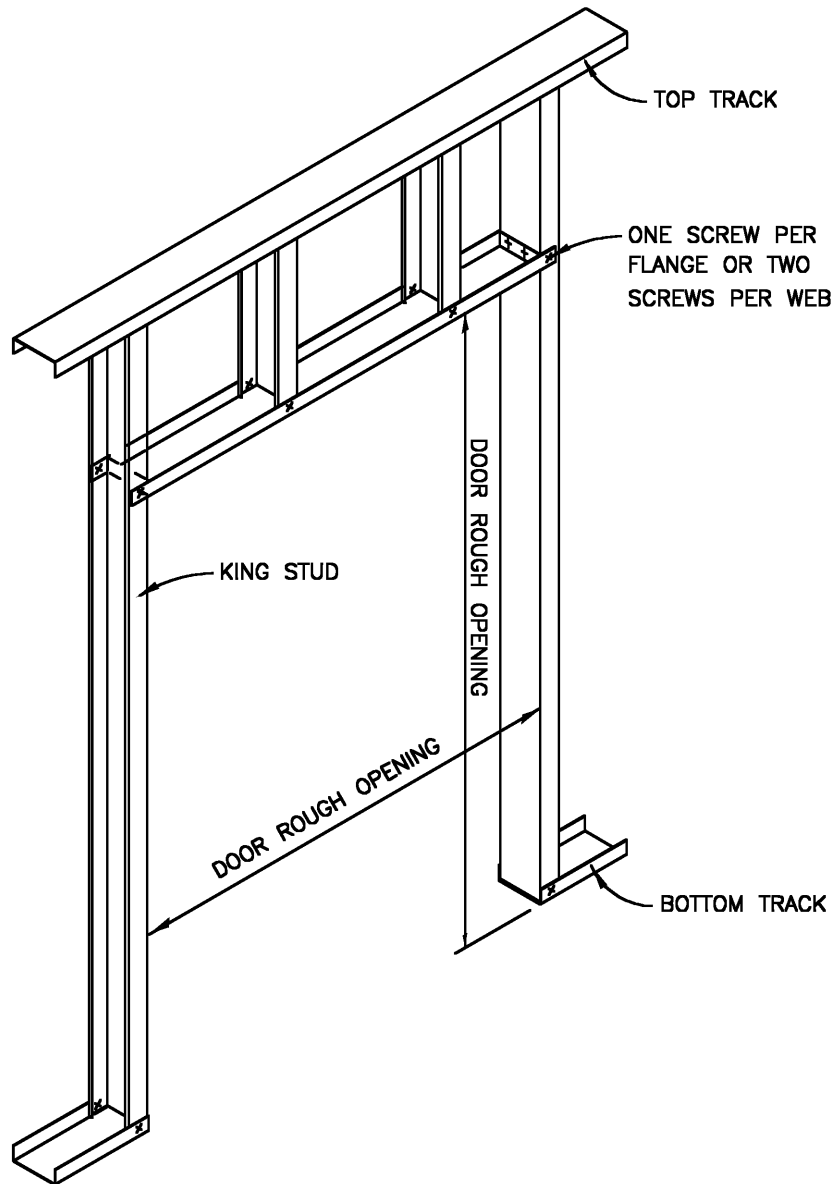


Figure NL6
Door Opening Framing Detail

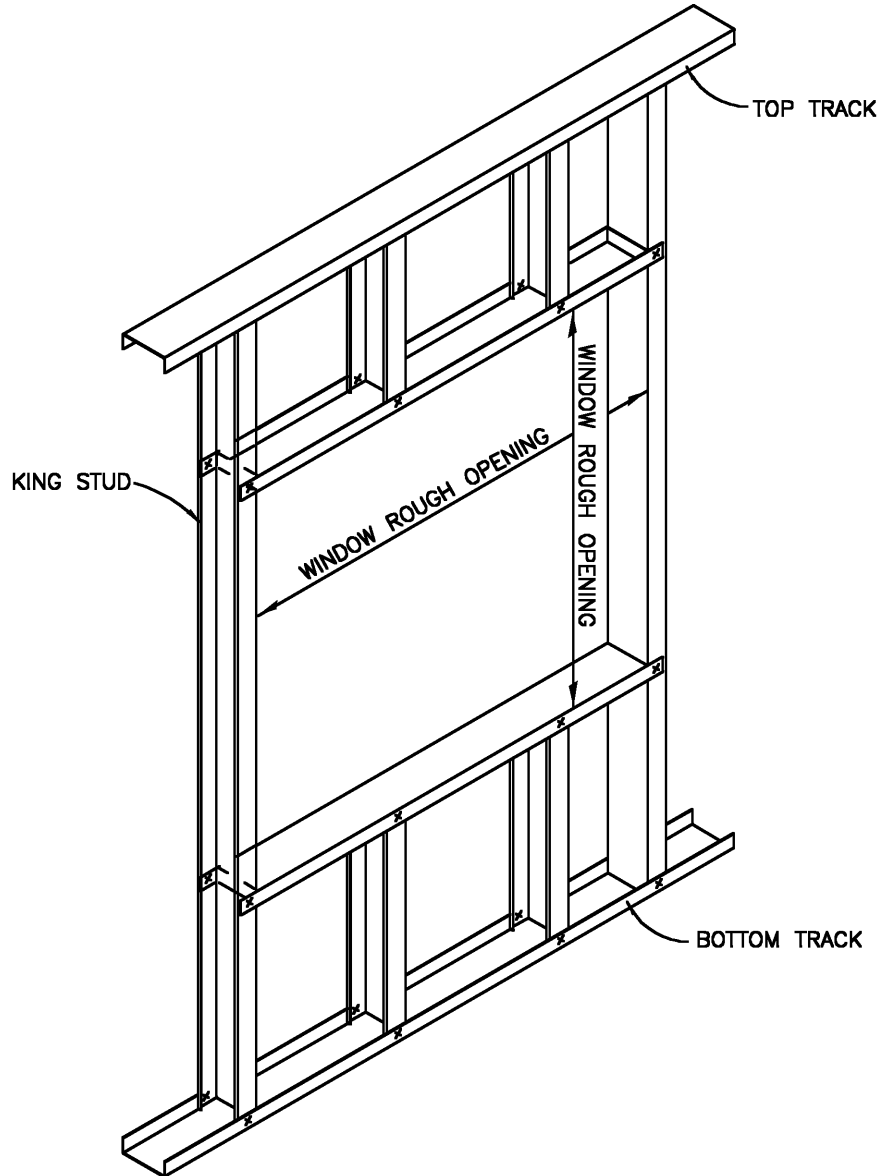


Figure NL7
Non-Load Bearing Opening

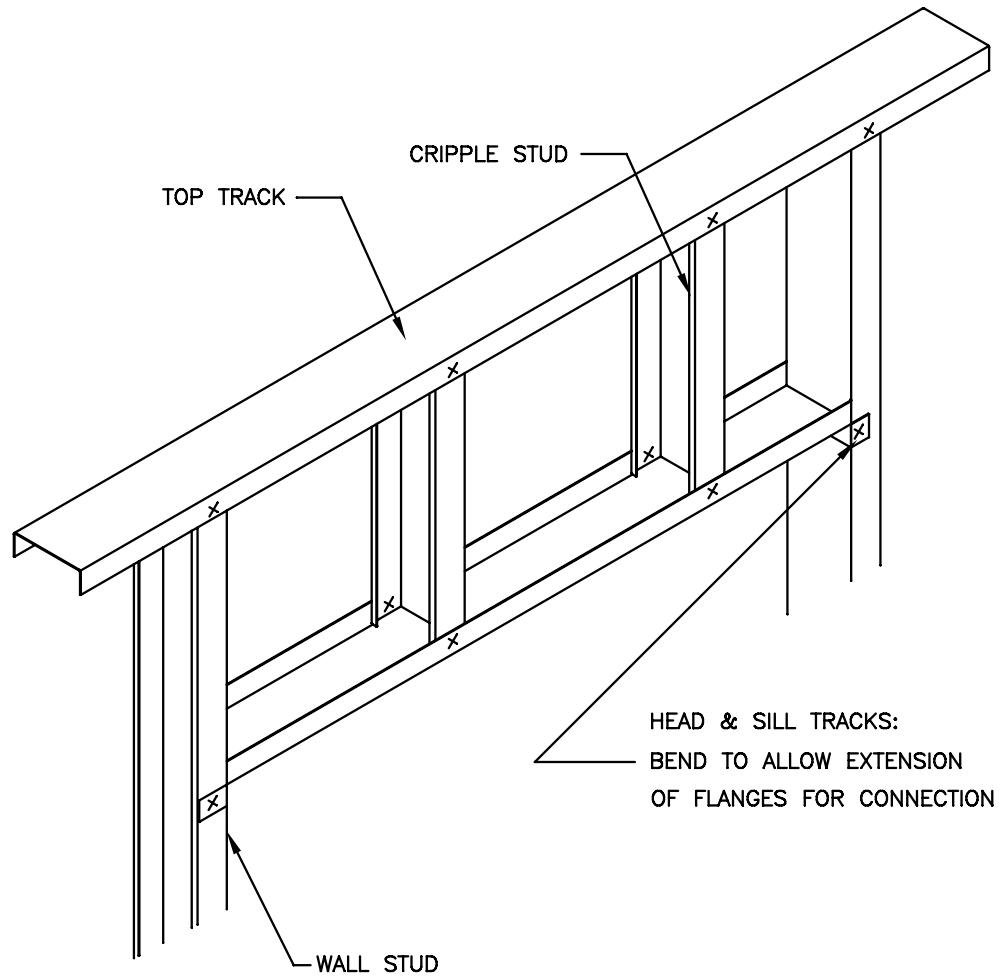
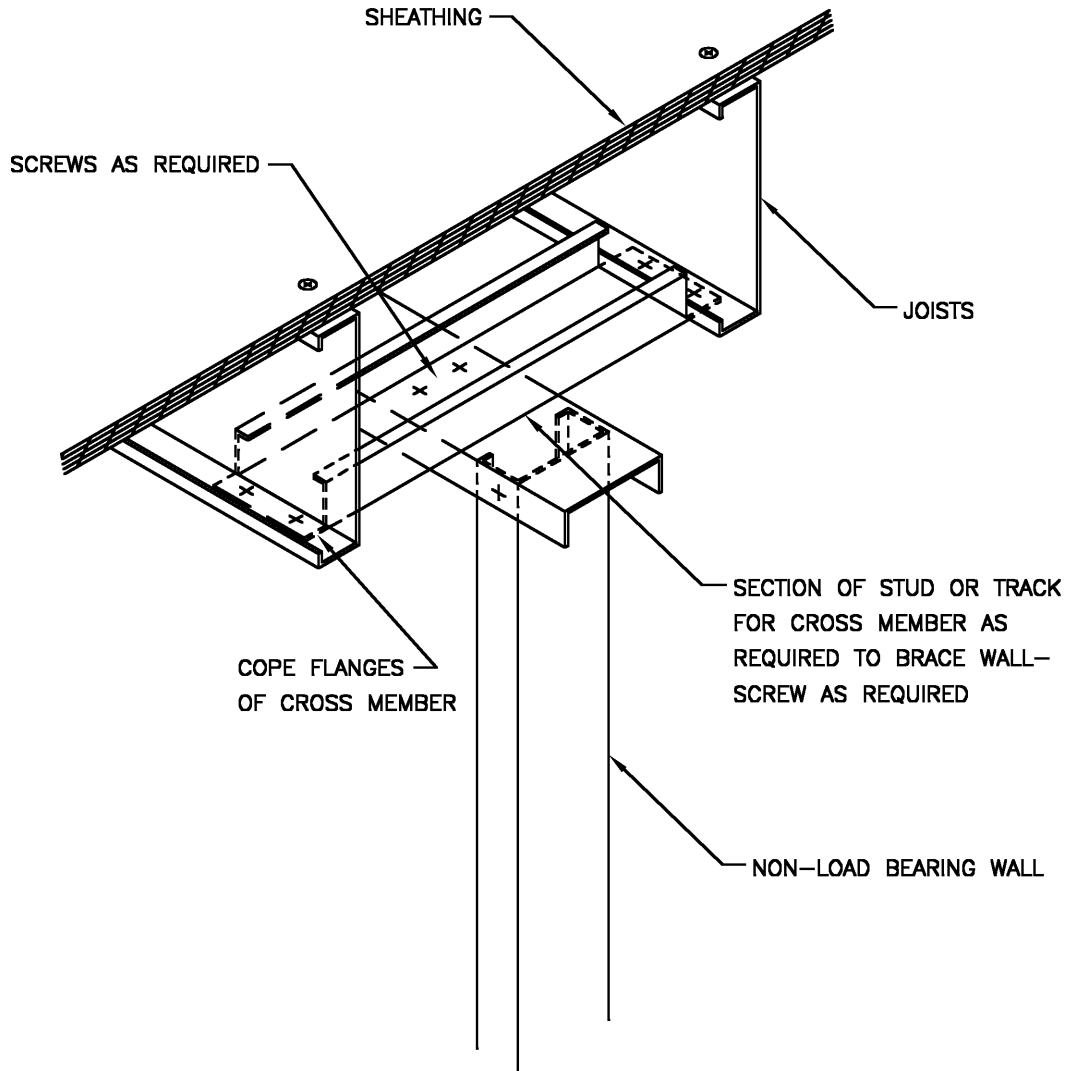
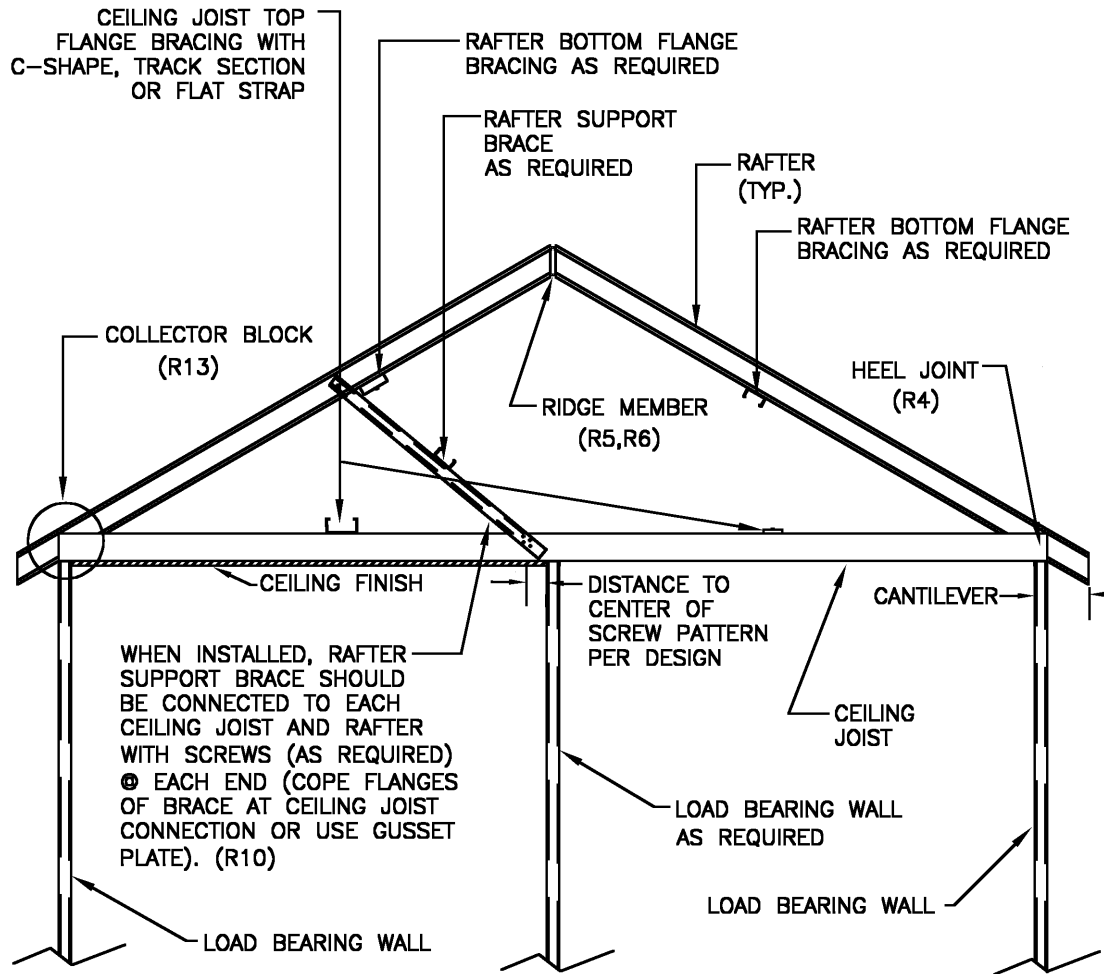


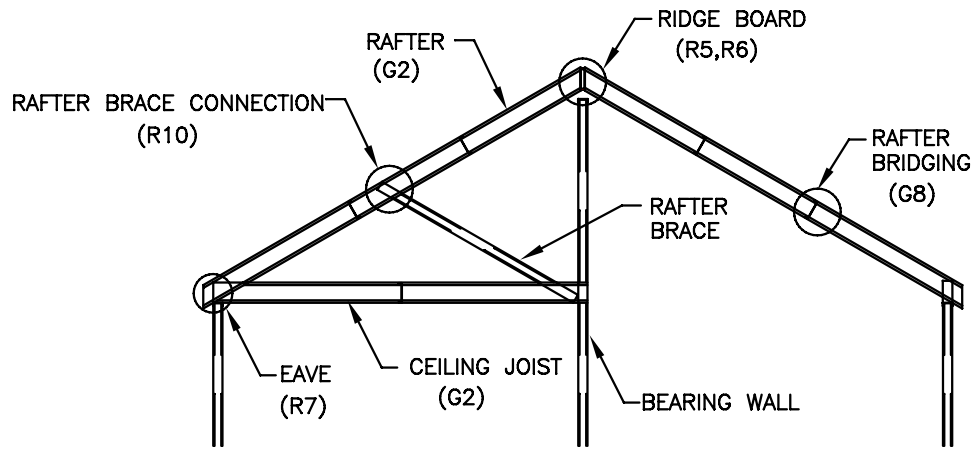
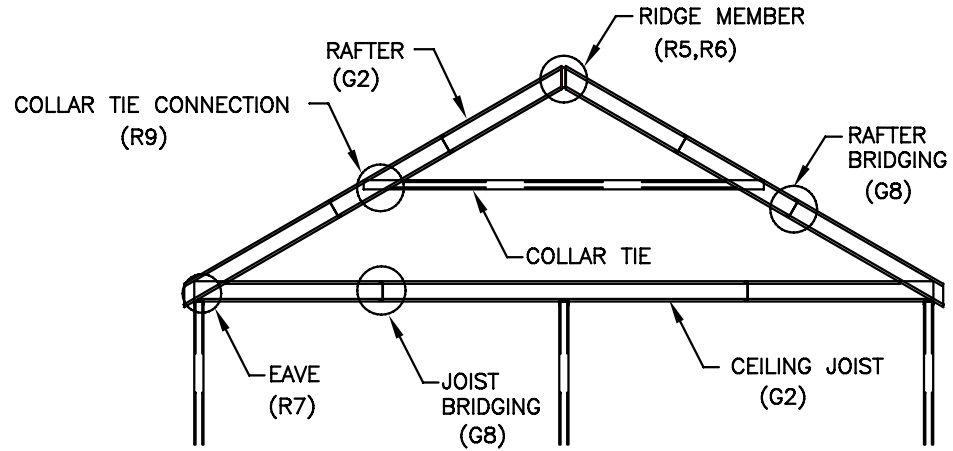
Figure NL8
Non-Load Bearing Wall Parallel to Joist



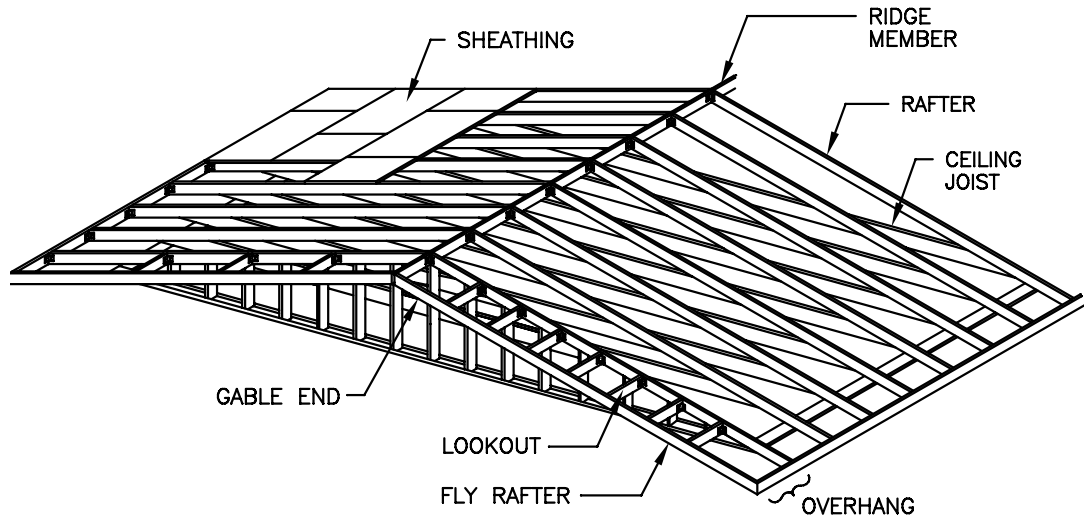
Detail R1 Roof Framing



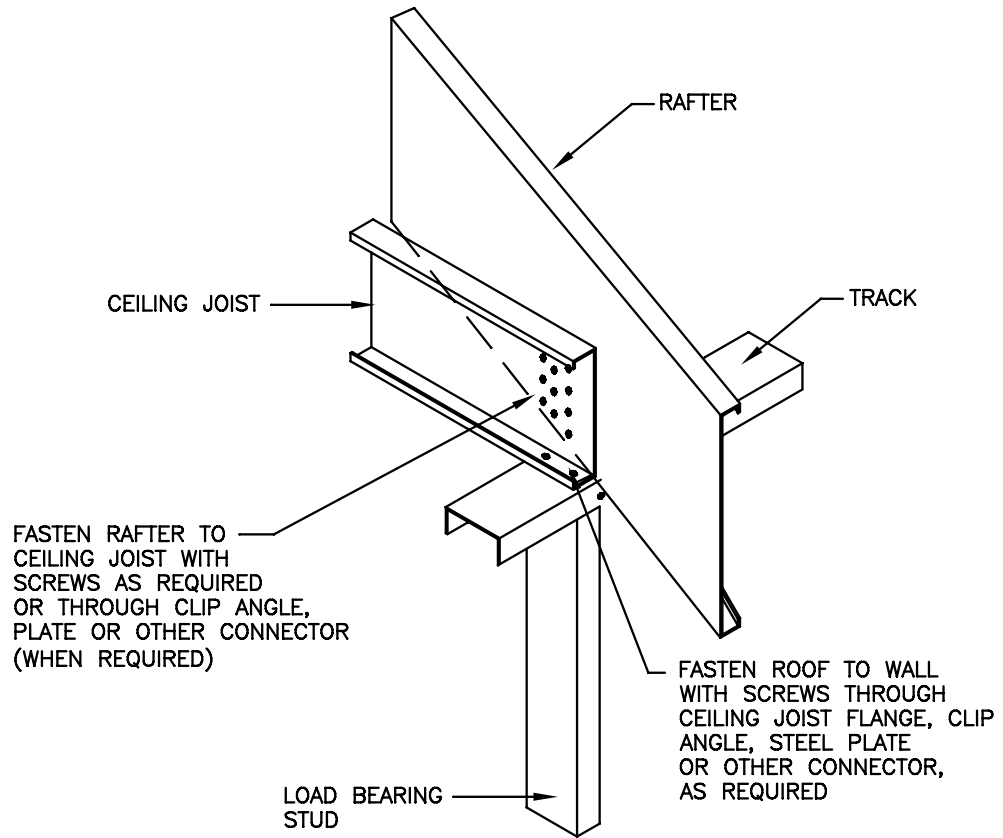
Detail R2
Joist and Rafter Detail



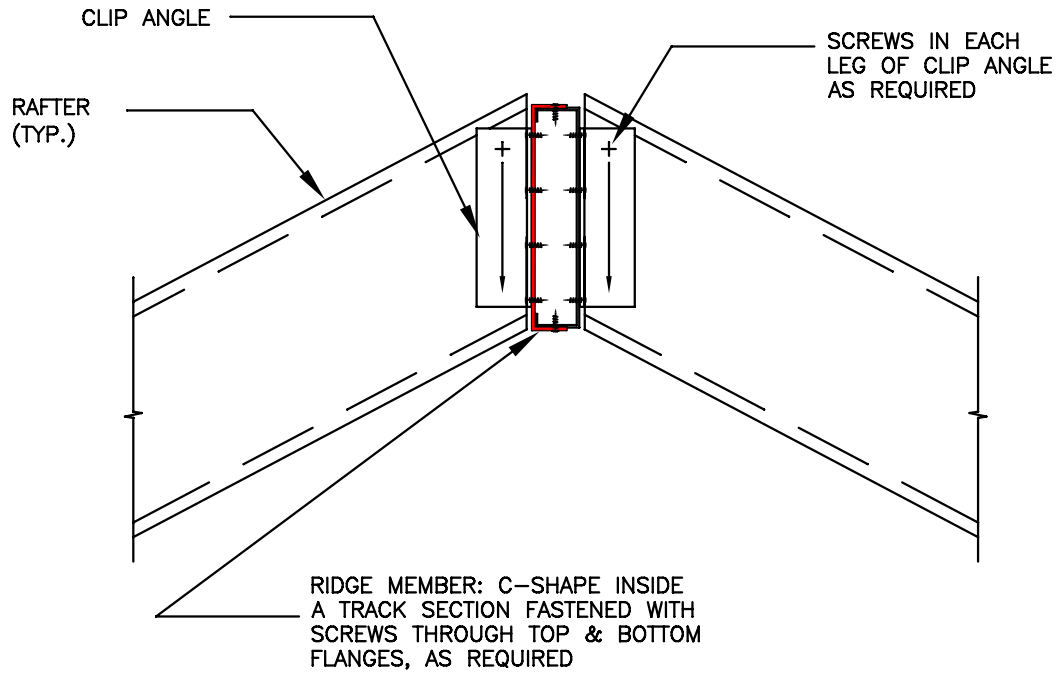
Detail R3 Roof Framing Isometric View



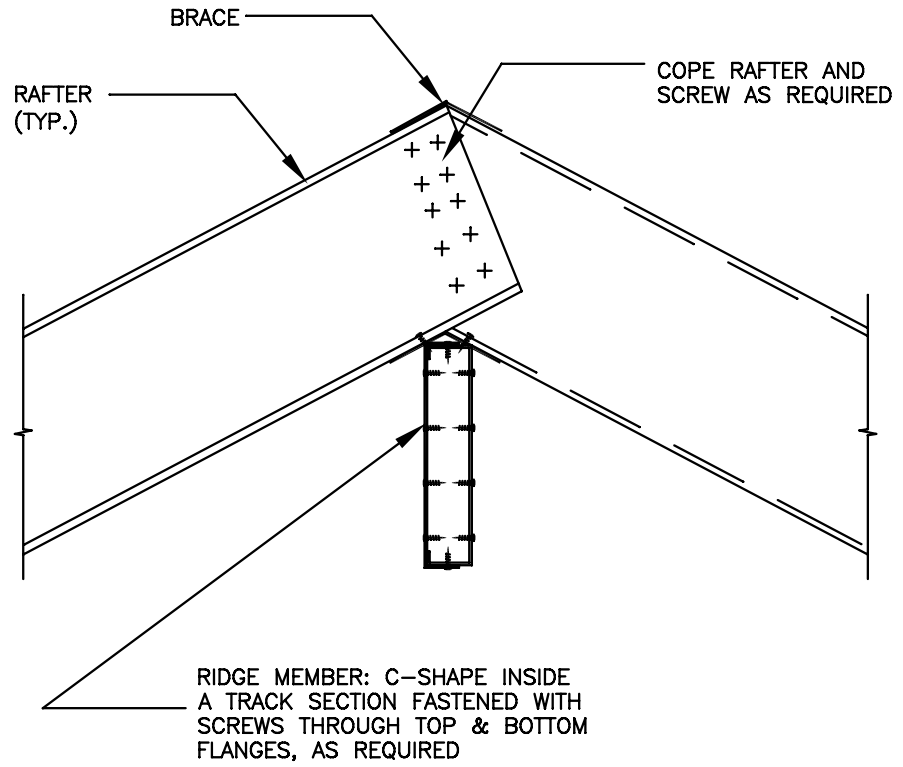
Detail R4 Heel Joint Connection Detail



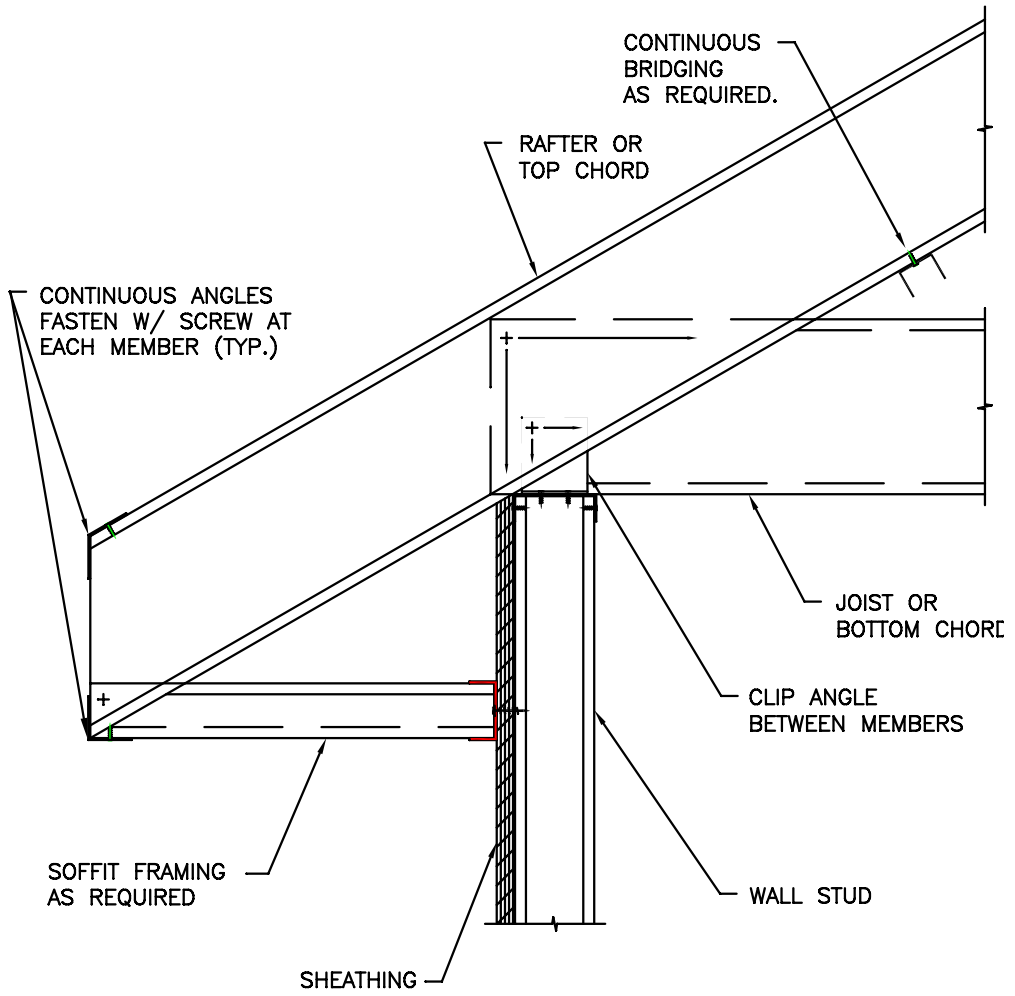
Detail R5 Ridge Member Connection Detail



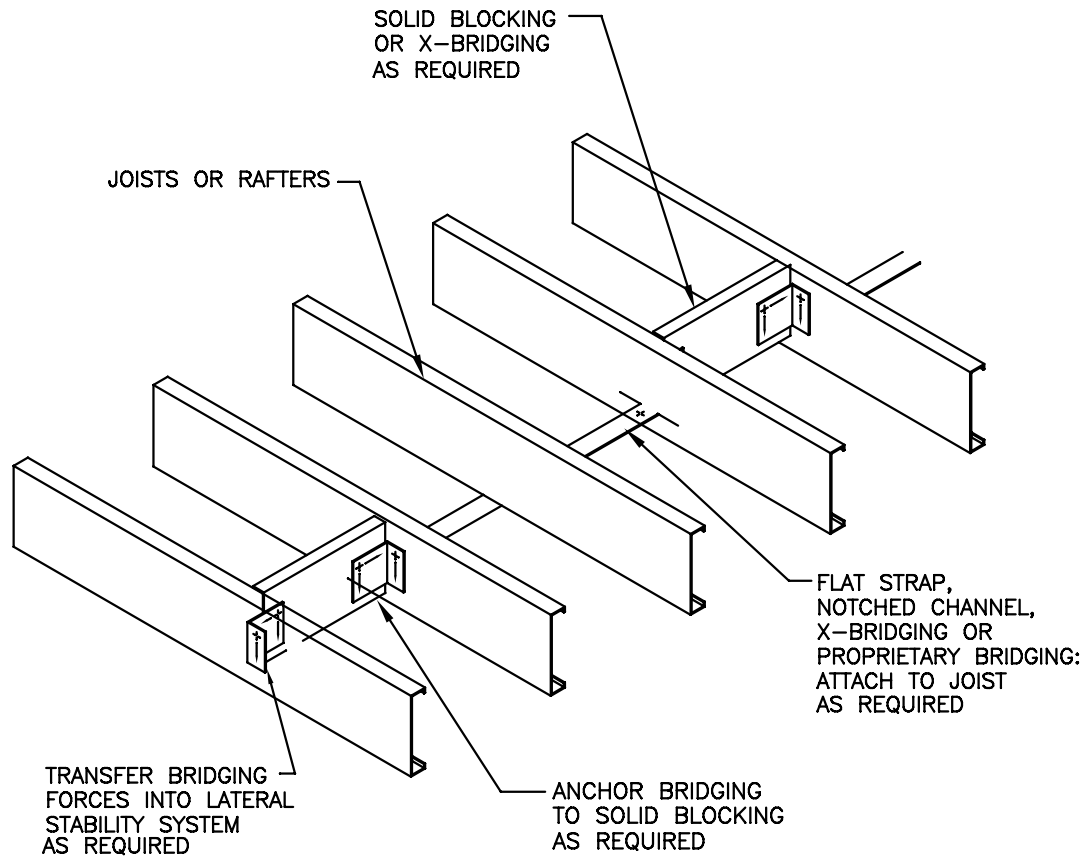
Detail R6
Ridge Member with Coped Rafters



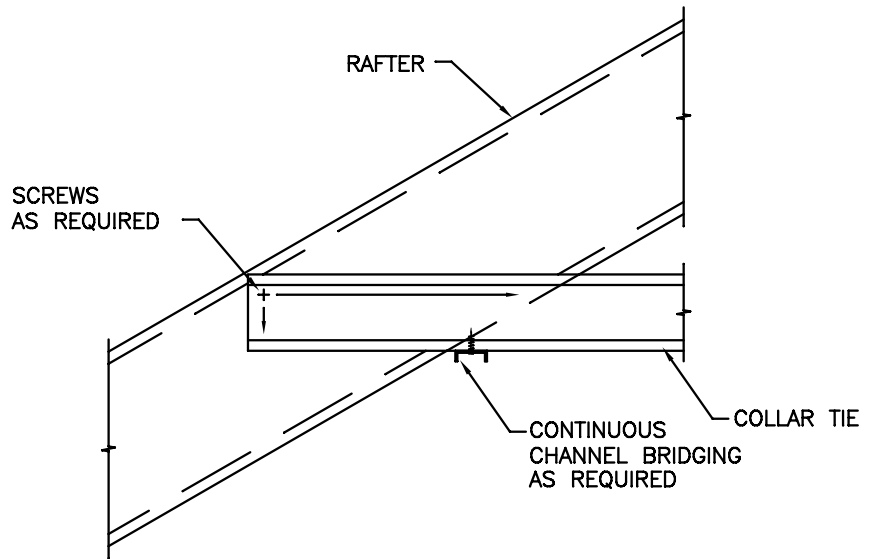
Detail R7 Roof Eave and Soffit Detail



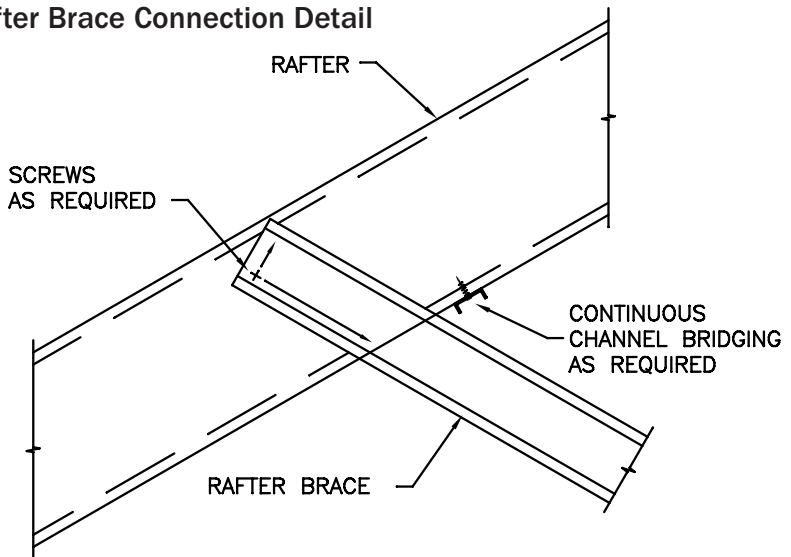
Detail R8 Rafter and Joist Bridging



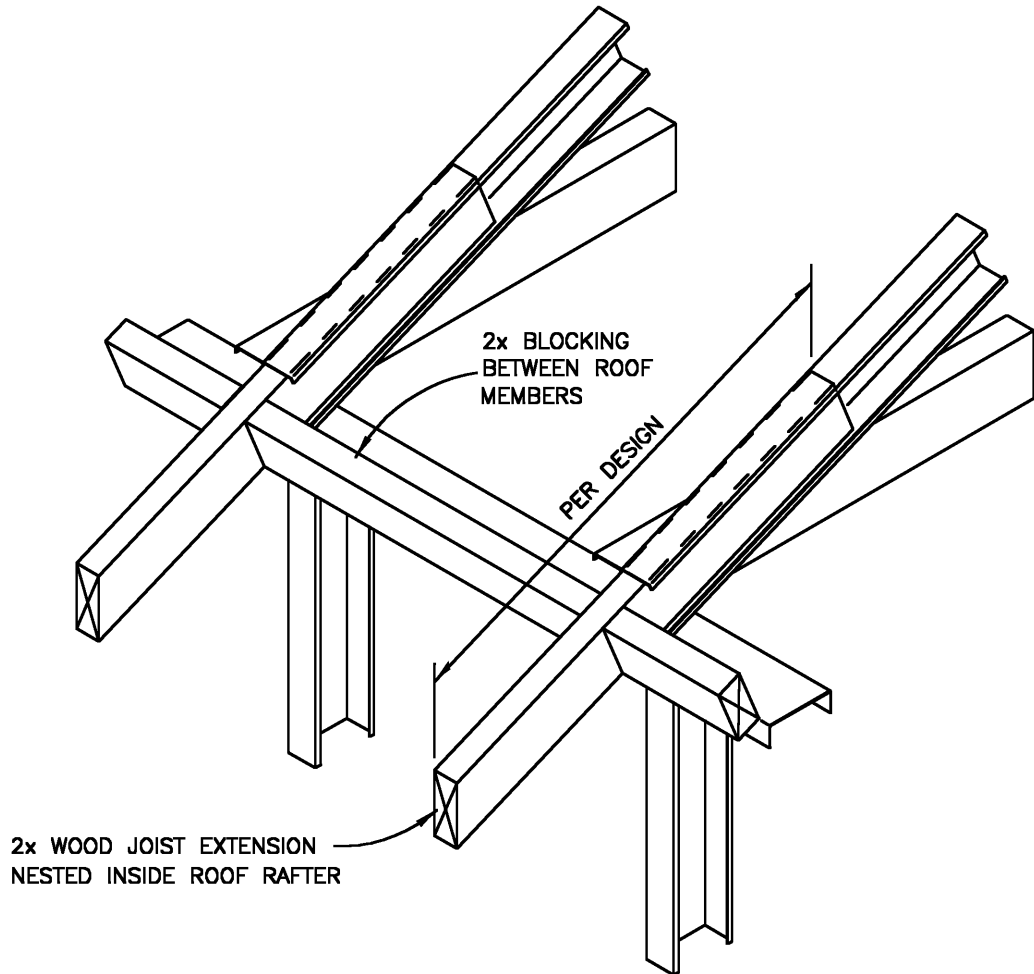
Detail R9
Collar Tie at Rafter Detail



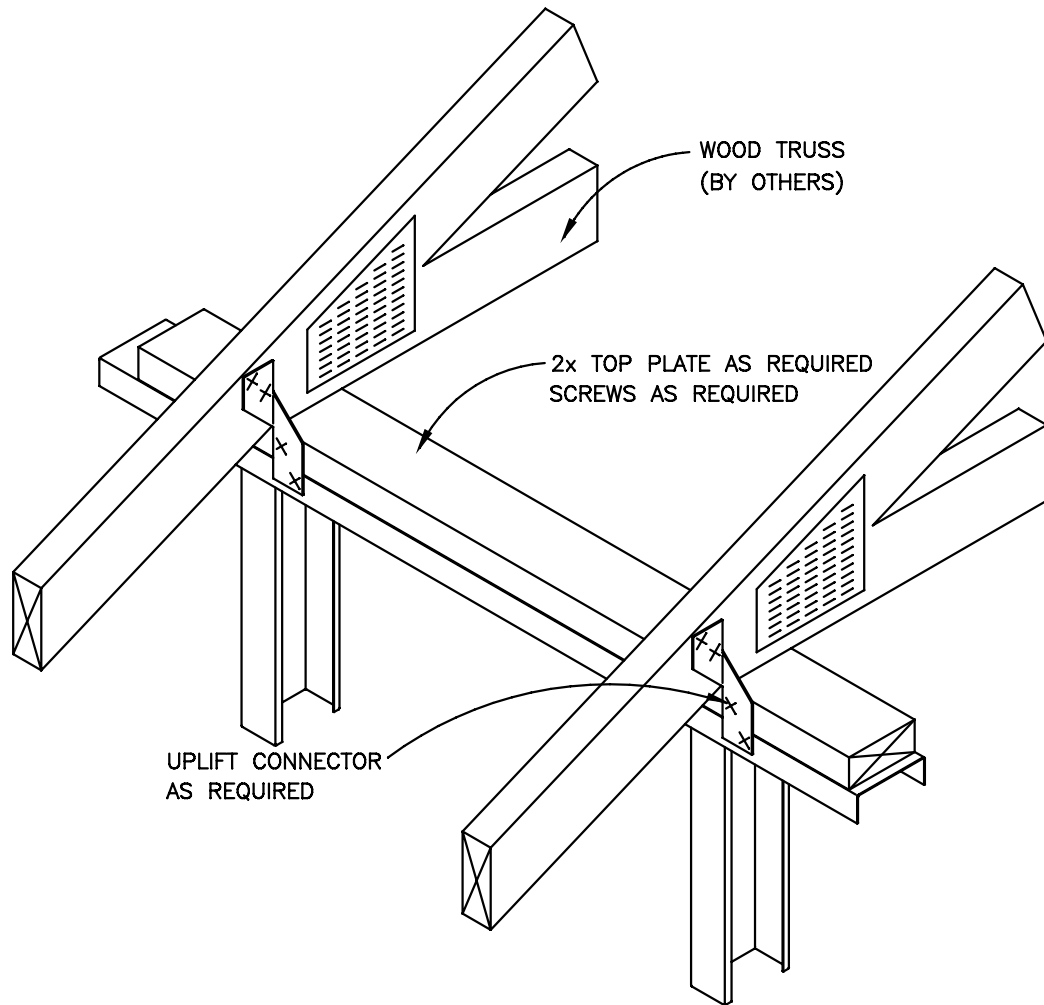
Detail R10
Rafter Brace Connection Detail



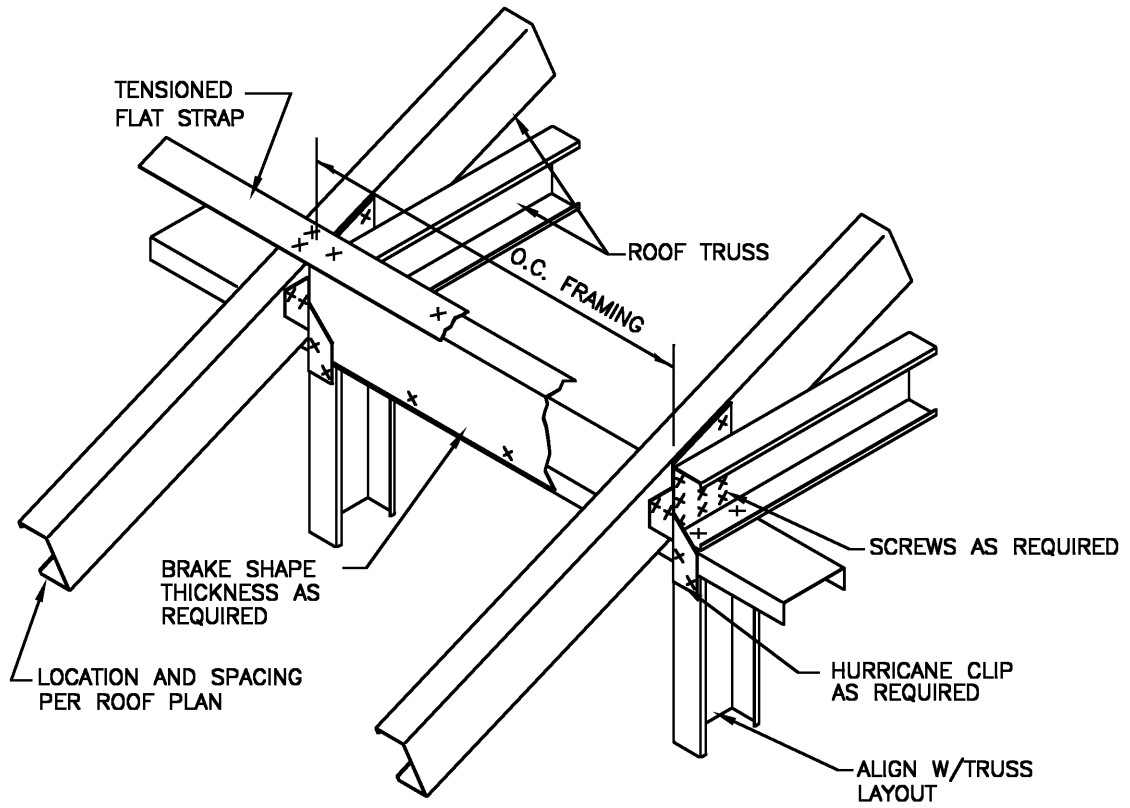
Detail R11
Roof Framing with Wood Tail Extension



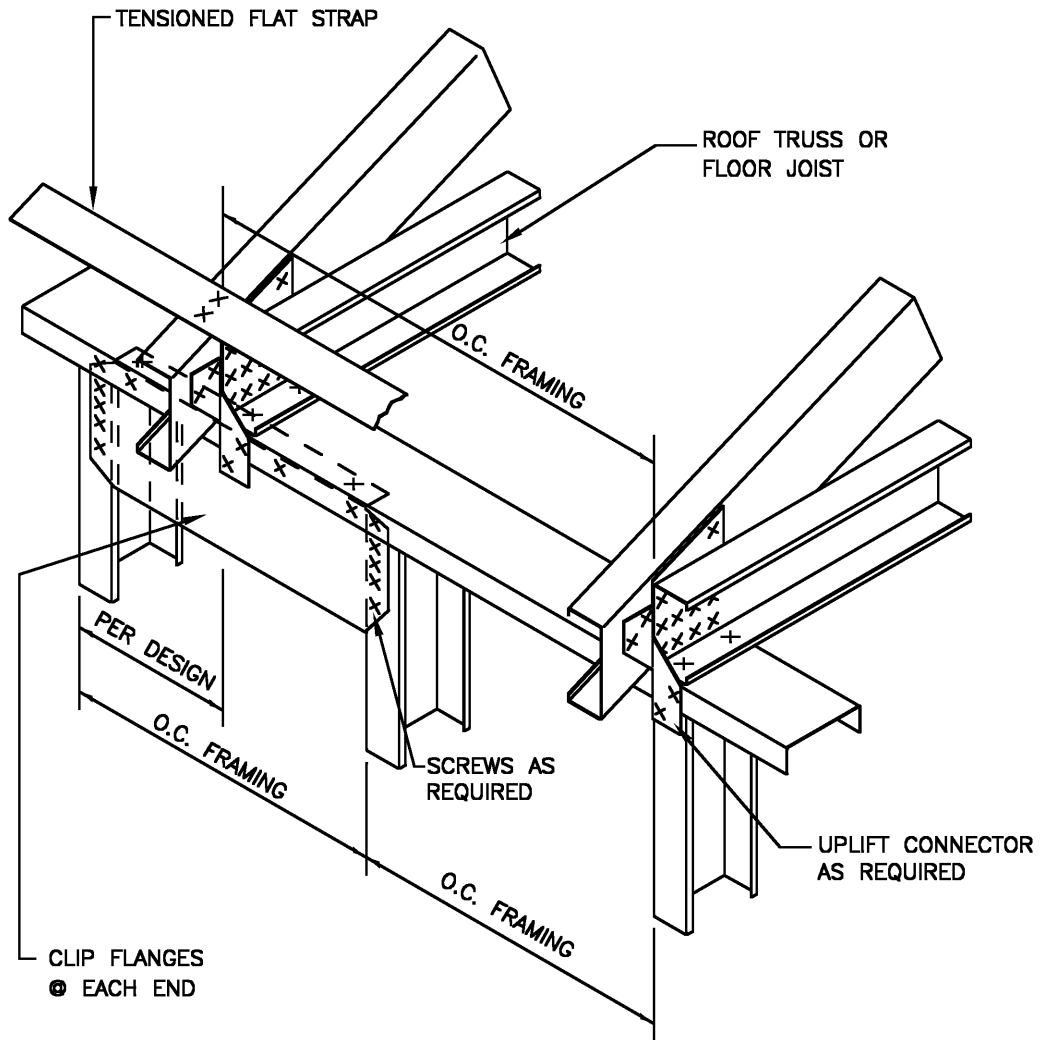
Detail R12
Wood Truss Bearing on Steel Wall



Detail R13
Collector Block Detail



Detail R14 Non-Aligned Roof-Wall Framing



Detail R15 Hip Beam

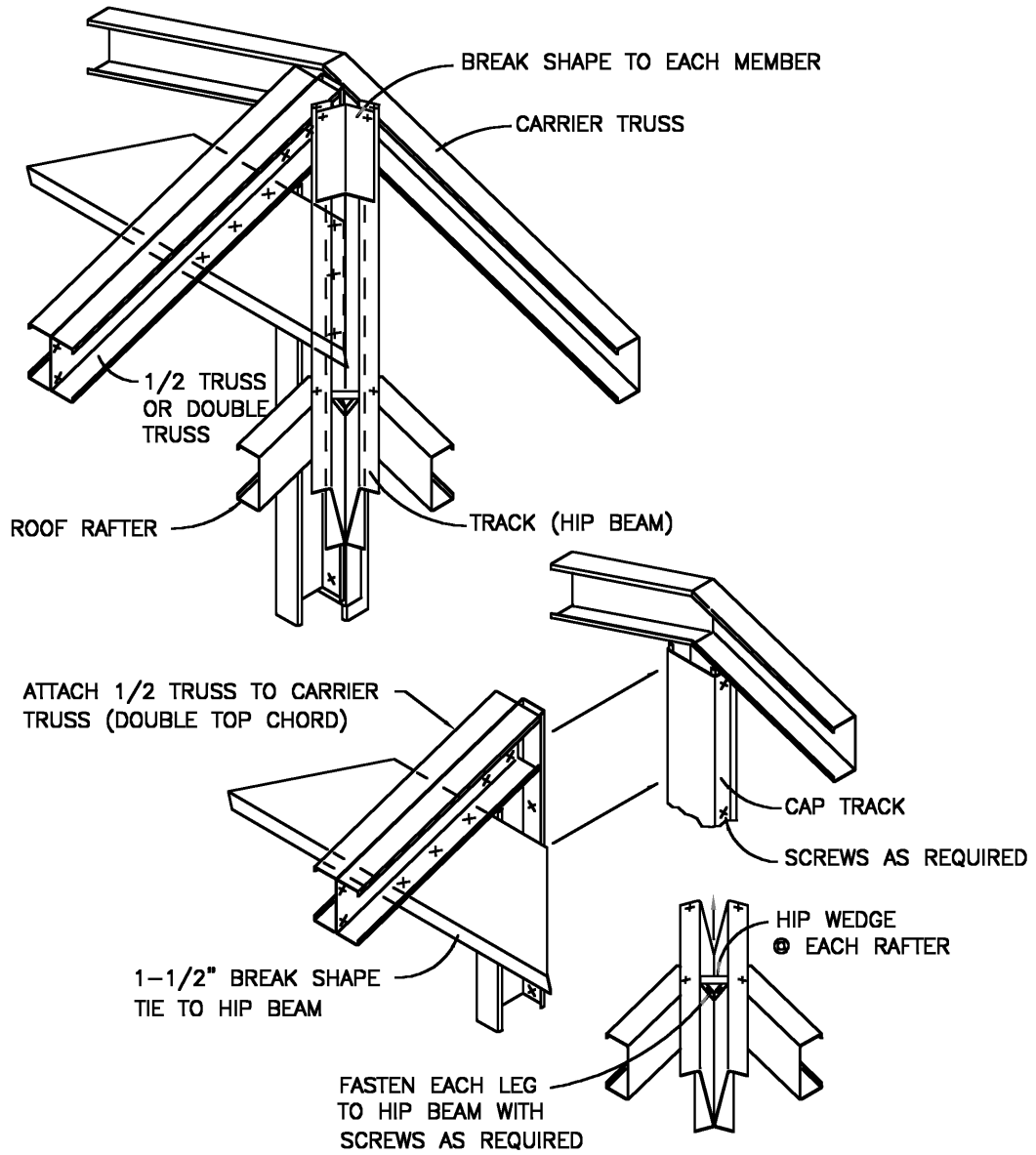


Figure M1
Cabinet Blocking Detail

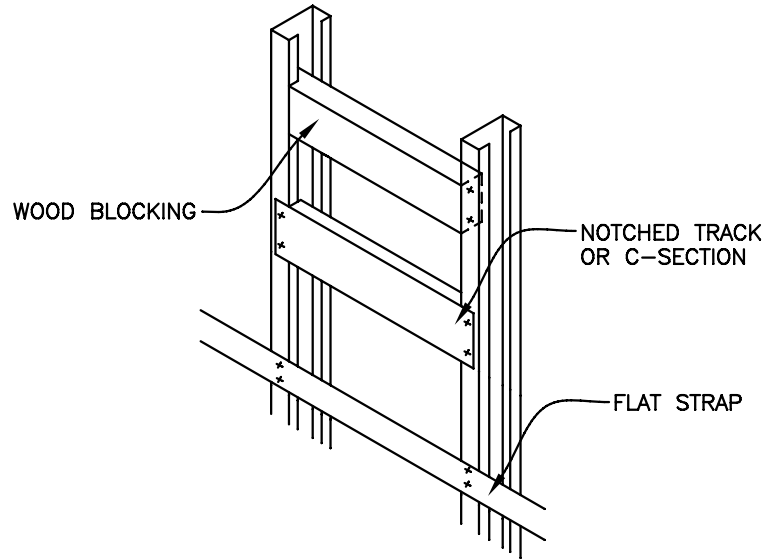


Figure M2
Wiring and Piping Installation Detail

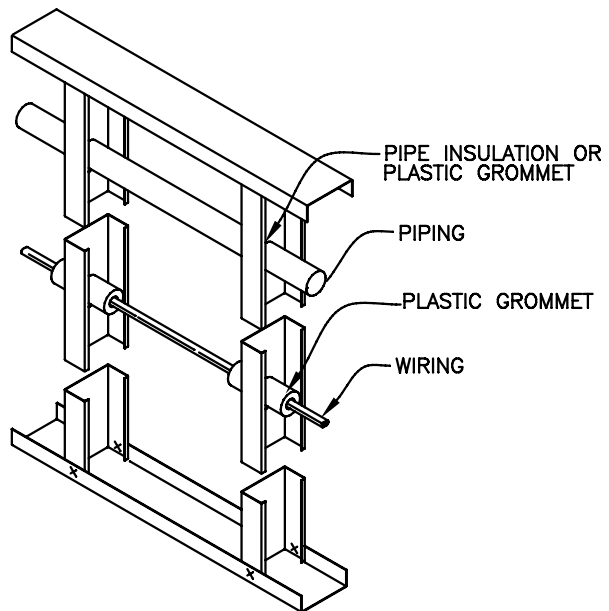


Figure M3
Stair Framing Detail

GLUE & SCREW WITH BUGLE HEAD SCREWS AS REQUIRED

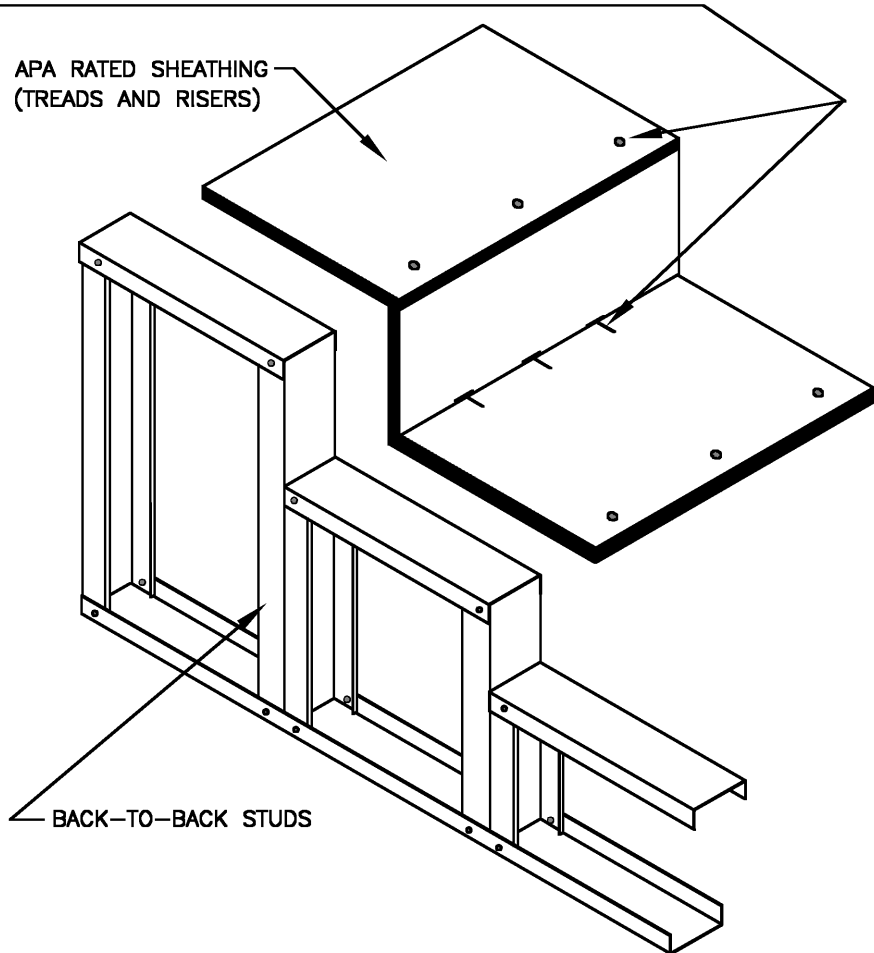


Figure M4
Stair Framing Detail 2

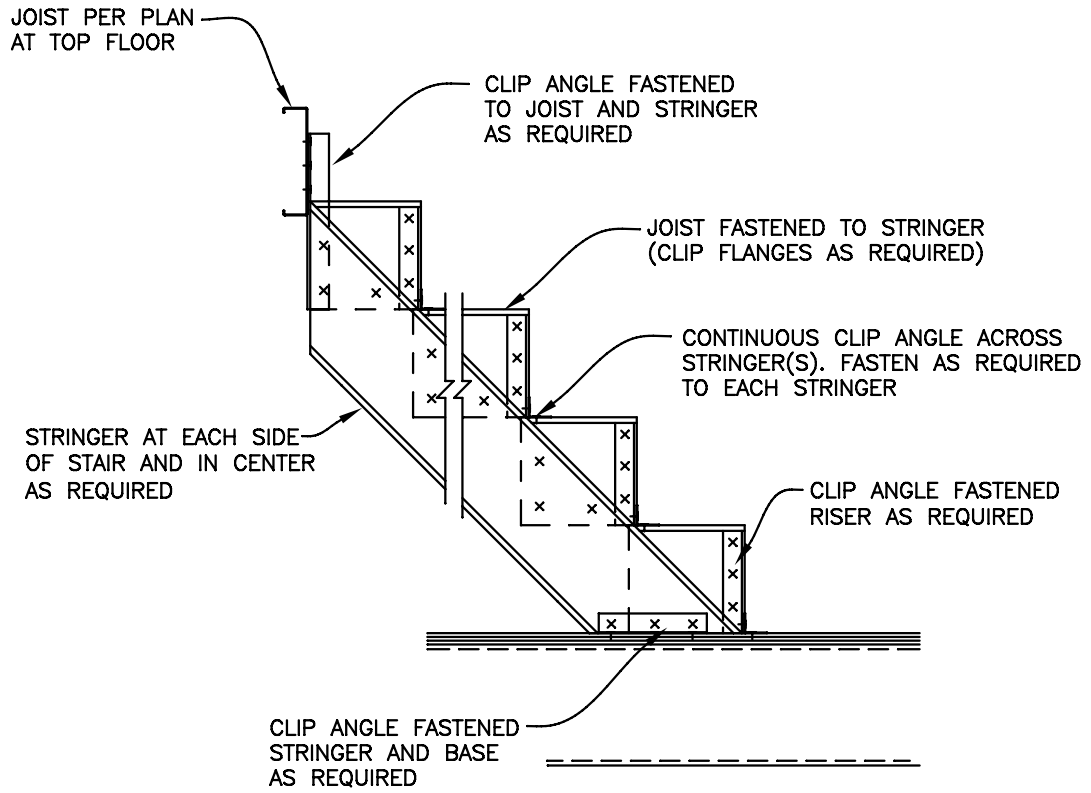


Figure M5
Stair Landing Detail

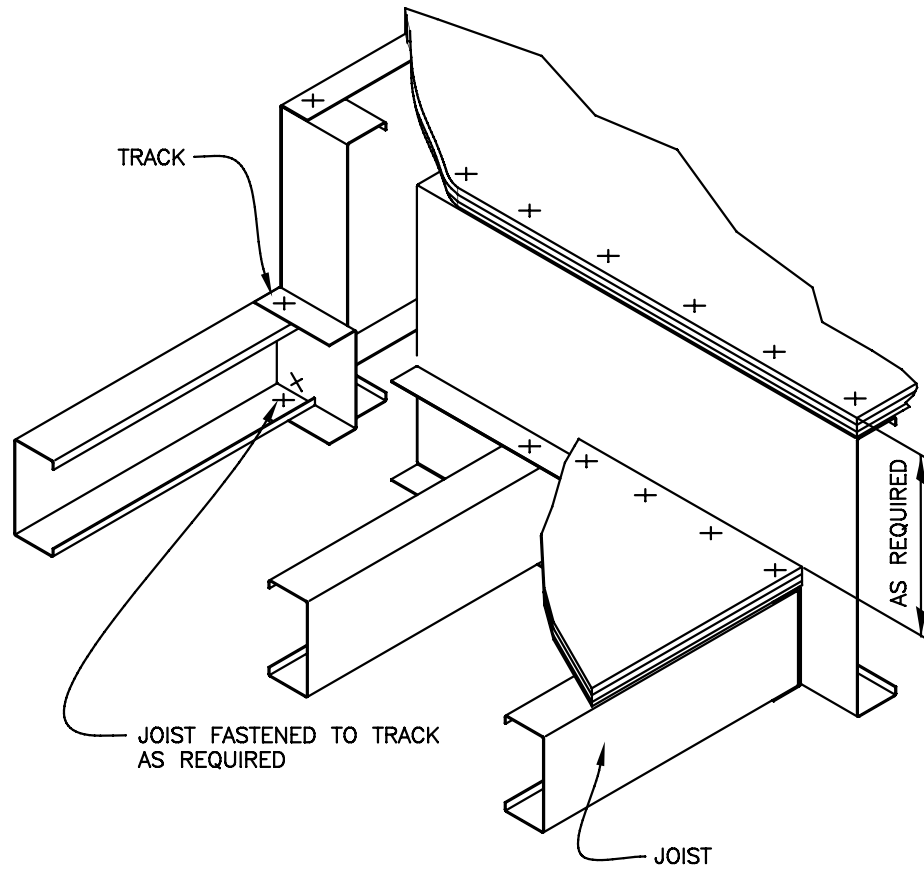
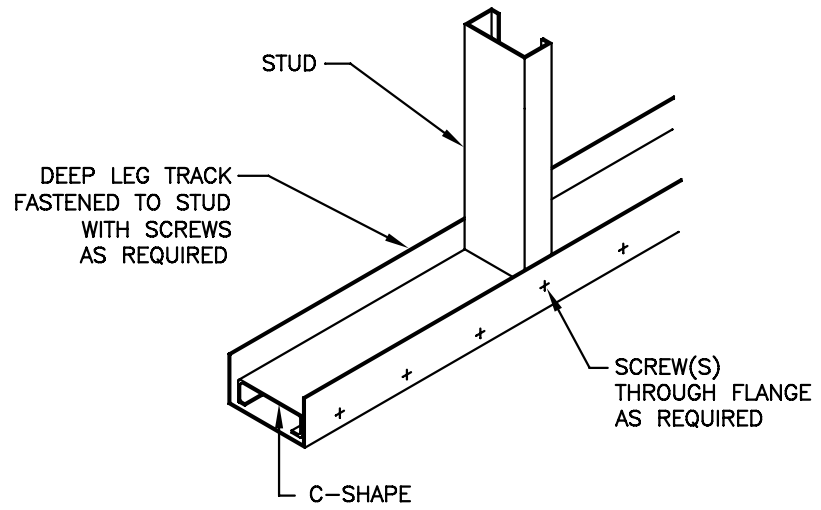
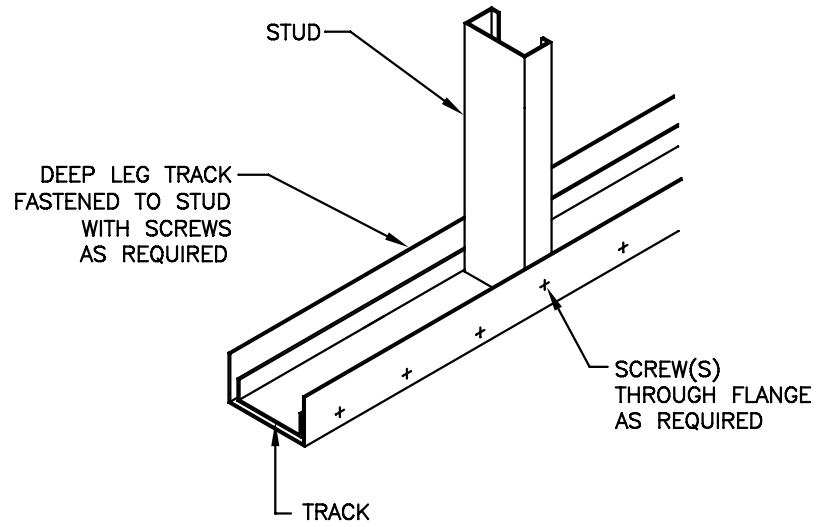


Figure M6
Wind Sill Details





North American Steel Framing Alliance

1726 M Street, NW

Suite 601

Washington, DC 20036-4523

202-785-2022

Fax: 202-785-3856

1-800-79-STEEL

www.SteelFramingAlliance.com